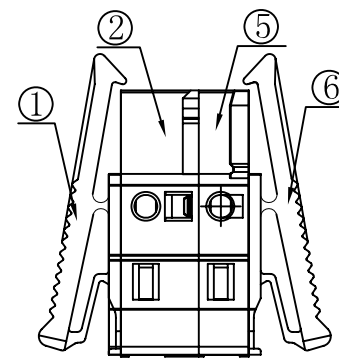
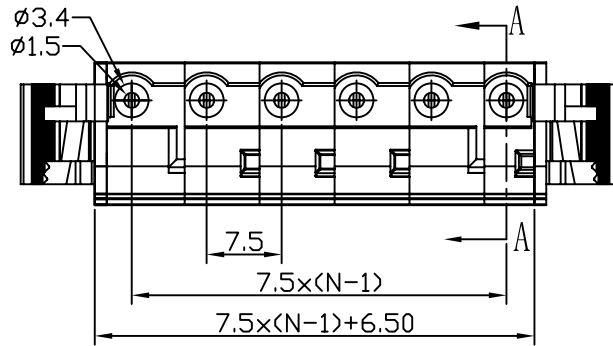
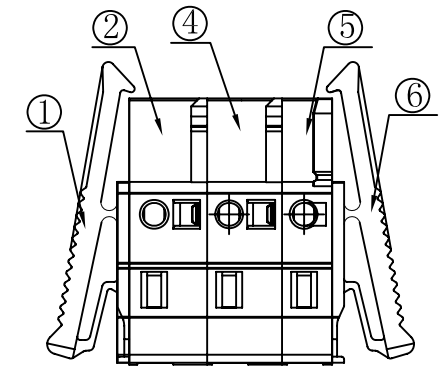


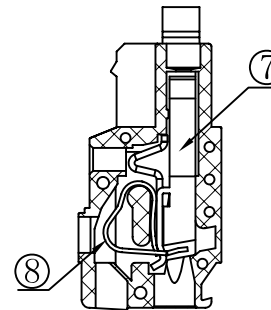
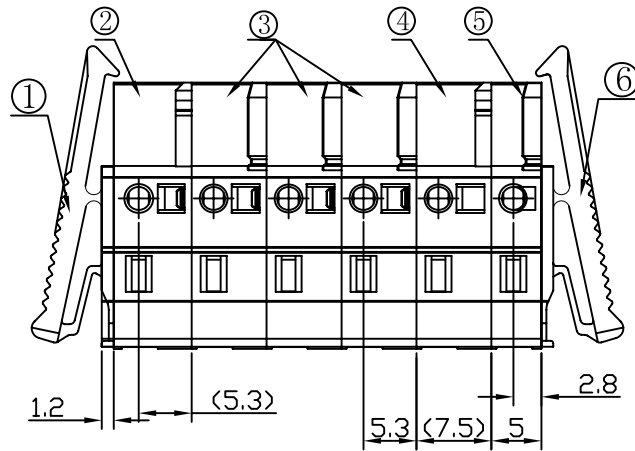
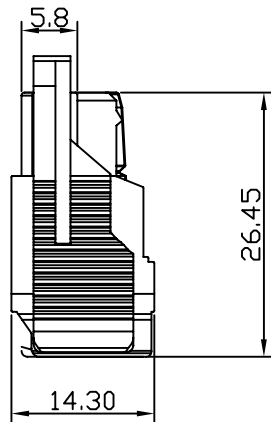
REVISION RECORD					
REV	ECN	DESCRIPTION	DRFT	DATE	



*02P



*03P



SECTION A-A

Notes:

- Pitch: 7.50mm
- Rated voltage/current: UL 300V15A
IEC 400V 20A
- Operation temperatures: -40°C ~ +105°C
- Withstanding Voltage: AC2500V/1min
- Insulation Resistance: 5000MΩ / DC1000V
- Wire Range: 28~12AWG, 2.5mm²
- Undimensioned Tolerances:

Pitch range in mm		Nominal dimension range in mm				
to	over	to	over	to	over	
6	6	10	30	60	100	150
6	10	24	30	60	100	150
±0.10	±0.15	±0.25	±0.2	±0.3	±0.5	±0.7 ±1
						0.05/10

8	8EDGK-CLAMP	1086B00010 (H)	XX	Phosphor Bronze	Tin plated
7	DG242-SPRING	X000000990 (H)	XX	Stainless Steel	
6	8EDGKG-5.0-COVER 2	1086C4101E (H)	1	PA66	UL94V-0
5	8EDGK-7.5 HOUSING-4(边件2)	1125A4101C (H)	1	PA66	UL94V-0
4	8EDGKB-7.5 HOUSING-2(中间件2)	1363A4101C (H)	1	PA66	UL94V-0
3	8EDGK-7.5 HOUSING-2(中间件1)	1125A4101A (H)	XX-3, (XX≥4) 0, (XX≤3)	PA66	UL94V-0

2	8EDGKB-7.5 HOUSING-1(边件1)	1363A4101A (H)	1	PA66	UL94V-0
1	8EDGKG-5.0-COVER-1	1086C4101D (H)	1	PA66	UL94V-0
ITEM	NAME OF PART	NO. OF PART	Q'TY	MATERIAL	NOTES
DETAILED LISTS		MM (INCH)	DFTO HXG	DATE 10/30/09'	
TOLERANCES EXCEPT AS NOTED		MM	CHKD	DATE	
.0 ±		±	MFD	DATE	
.00 ±		±	APPVL	DATE	
.000 ±		±	MATERIAL :		
ANGLES ± 1°		G.E :			
THIRD ANGLE PROJECTION		FINISH:			
		SCALE :			
				NAME	
				DEGSON® 宁波高正电子有限公司 DEGSON ELECTRONICS CO., LTD	
				DRAWING NO. 8EDGKGB-7.5-E02	
				/PART NO.	
				SIZE A4	
				REV TO 09/05/10'	
				DO NOT SCALE DRAWING	
				SHEET 1 OF 1	