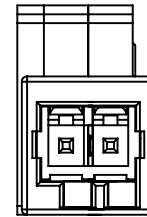
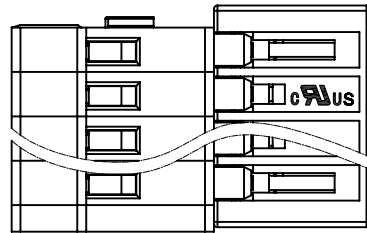
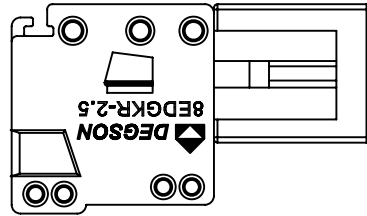


REVISION RECORD				
REV	ECN	DESCRIPTION	DRFT	DATE

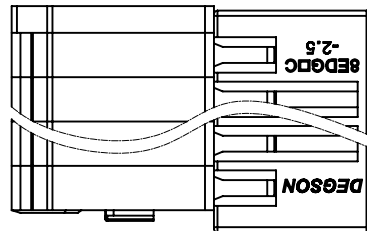
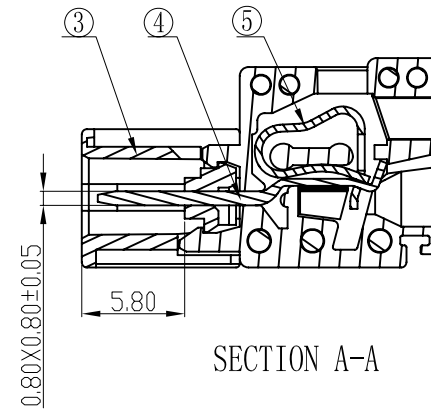
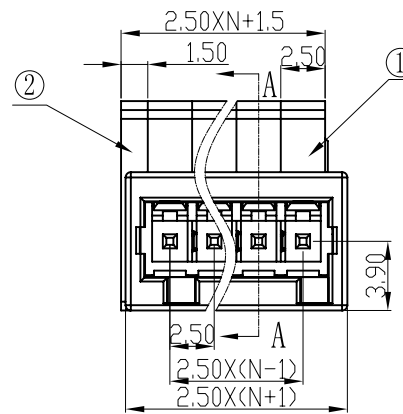
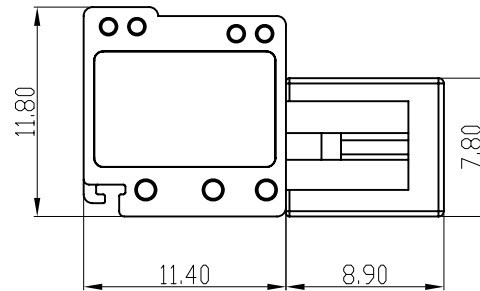
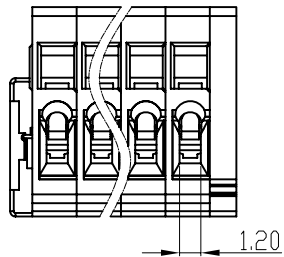
Notes:

1. Pitch: 2.50mm, Poles: 2-12P
2. Rated voltage/current: UL1059 150V 4A
IEC 130V 6A
3. Operation temperatures: -40°C ~ +105°C
4. Withstanding Voltage: AC2000V/1min
5. Insulation Resistance: 5000MΩ/DC1000V
6. Wire Range: 28~20AWG, 0.5mm²
7. Undimensioned Tolerances:

Pitch range in mm		Nominal dimension range in mm					—	
to 6	over 6 to 10	over 10 to 24	over 30 to 60	over 60 to 100	over 100 to 150	over 150		
±0.10	±0.15	±0.25	±0.2	±0.3	±0.5	±0.7	±1	0.05/10



*02P



5	DG240-Spring	X000001020 (H)	XX	Stainless Steel	
4	8EDGKR-2.5 Header	1149B00010 (H)	XX	Copper	SnCe
3	8EDGV/RC-2.5 Housing	1128A41XXA (H)	1	PA66	UL94V-0

2	8EDGKR-2.5 Cover	1149C4101A (H)	1	PA66	UL94V-0
1	8EDGKR-2.5 Housing	1149A4101A (H)	XX	PA66	UL94V-0
ITEM	NAME OF PART	NO. OF PART	Q'TY	MATERIAL	NOTES
MM (INCH)	DF TO LIN	DATE 05/26/09*	宁波高正电子有限公司 DEGSON ELECTRONICS CO., LTD NAME: 8EDGKR-2.5-XXP-11-01A(H) DRAWING NO. 8EDGKR-2.5-E01 /PART NO. A4 REV TO 09/10/10*		
TOLERANCES EXCEPT AS NOTED		CHKD DATE			
MM	MFD DATE	APPVL DATE			
.0 ±					
.00 ±			MATERIAL :		
.000 ±			G.E :		
ANGLES ± 1°		FINISH:		SCALE :	
THIRD ANGLE PROJECTION		SCALE :		DD NDT SCALE DRAWING	