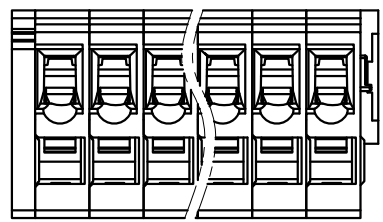
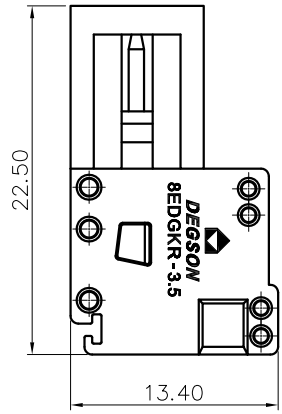
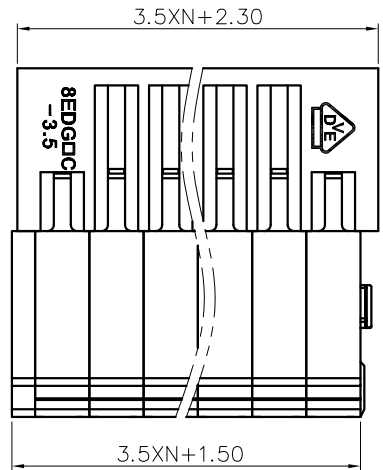
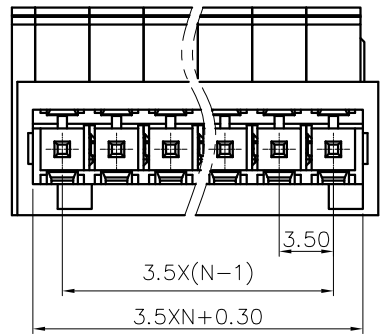


REVISION RECORD				
REV	ECN	DESCRIPTION	DRFT	DATE



NOTES1:

UL Standard

1. Rated voltage/current : 300V / 10A
2. Withstanding voltage : AC1600V/1Min.
3. Wire range : 28~14AWG

IEC Standard

1. Pollution Degree	3
Overvoltage Category	III
Rate Impulse Voltage(KV)	2.5KV
Rate Voltage(V)	130V
Rate Current(A)	10A

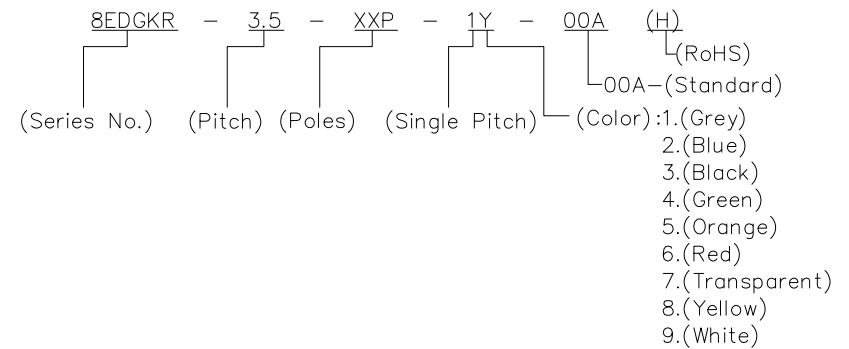
2. Wire range : 0.2~1.5mm²

NOTES2:

1. Dimension shall be interpreted per ASME Y14.5-2009
2. Pitch : 3.5mm, Poles : N=02~24P
3. Stripping length : 5~6mm
4. Operating temperature: -40°C~+105°C
5. Undimensioned tolerances:

Pitch range in mm			Nominal dimension range in mm				0.1/10	
TO	Over TO	Over TO	TO	Over TO	Over TO	Over TO		
6	10	24	30	60	100	150		
±0.15	±0.20	±0.30	±0.30	±0.50	±0.70	±1.00	±1.30	±2'

6. RoHS Compliance



DETACHED LISTS	PART NO.:	/			
	APPD:	/			
	CHKD:	/			
	DRFT:	/			
	THIRD ANGLE PROJECTION		DRAWING NO.:		/
		MM (INCH)		DO NOT SCALE DRAWING	
		TITLE: CUSTOMER DRAWING		REV	DO
		SHEET		1/1	
		SCALE		1:1	

宁波高松电子有限公司
NINGBO DEGSON ELECTRICAL CO., LTD

NAME: 8EDGKR-3.5-XXP-1Y-00A(H)

TITLE: CUSTOMER DRAWING

DRAWING NO.: / SHEET 1/1

MM (INCH) DO NOT SCALE DRAWING SCALE 1:1