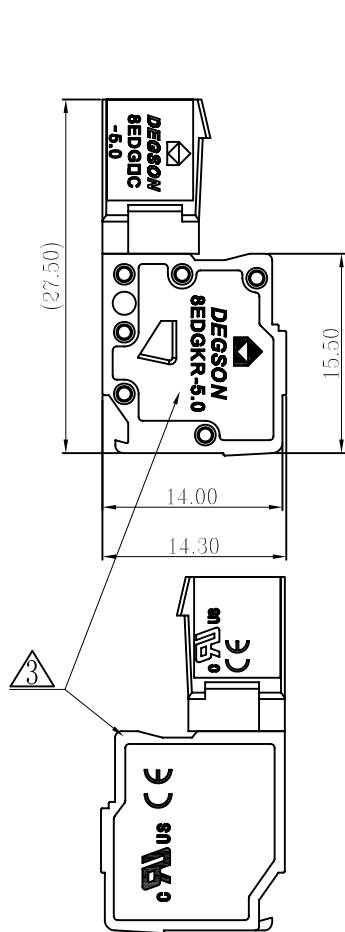
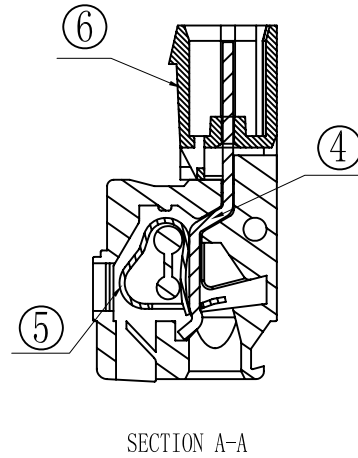
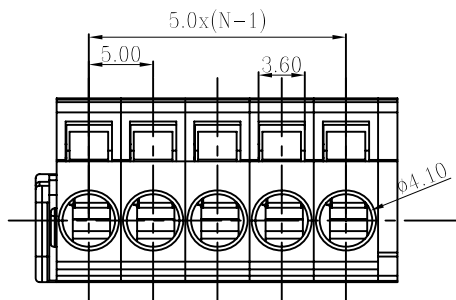
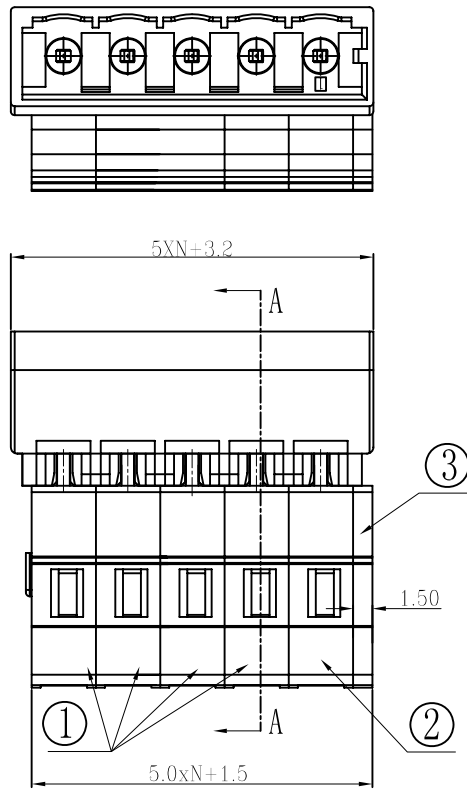


NEW

REVISION RECORD					
REV	ECO	DESCRIPTION	DRFT	DATE	
△		Drawing emend	HXG	08/02/08	
△	10-0121	图面更新	HD	05/13/10	
△	10-0224	图面更新	HD	07/15/10	



VIEW B



Notes:

- Pitch: 5.0mm, Poles: 2-24P
- Rated voltage/current: UL 300V/15A
IEC 320V/20A
- Operation temperatures: -40°C ~ +105°C
- Withstanding Voltage: AC2000V/1min
- Insulation Resistance: 5000MΩ / DC1000V
- Wire Range: 28~12AWG, 2.5mm²
- Undimensioned Tolerances:

Pitch range in mm		Nominal dimension range in mm						
to 6	over 6 to 10	over 10 to 24	over 30 to 60	over 60 to 100	over 100 to 150	over 150	∩ ◇	
±0.10	±0.15	±0.25	±0.2	±0.3	±0.5	±0.7	±1.0	0.05/10

6	8EDGVC-5.0-HOUSING	1089A0YXXA (H)	1	PA66	UL94V-0
5	DG242-SPRING	X000000990 (H)	XX	Stainless Steel	
4	8EDGKR-PIN	1145B00010 (H)	XX	Phosphor Bronze	SnCe plated
3	8EDGKR-5.0-COVER	1145C0Y01A (H)	1	PA66	UL94V-0

2	8EDGKR-5.0-SIDE HOUSING	1145A0Y01C (H)	1	PA66	UL94V-0
1	8EDGKR-5.0-HOUSING	1145A0Y01A (H)	XX-1	PA66	UL94V-0
ITEM	NAME OF PART	NO. OF PART	Q"TY	MATERIAL	NOTES
DETAILED LISTS		MM (INCH)	DFTO LYK	DATE 05/29/07	
TOLERANCES EXCEPT AS NOTED		CHKD	DATE		
MM		MFO	DATE		
.0 ±		APPVL	DATE		
.00 ±					
.000 ±					
ANGLES ± 1°		G.E :		MATERIAL :	
THIRD ANGLE PROJECTION		FINISH :		SCALE :	

DEGSON 宁波高正电子有限公司
DEGSON ELECTRONICS CO., LTD

NAME 8EDGKR-5.0-XXP-1Y-00A (H)

DRAWING NO. 8EDGKR-5.0-E01 SIZE A4 REV T3 07/15/10

/PART NO. DO NOT SCALE DRAWING SHEET 1 OF 1