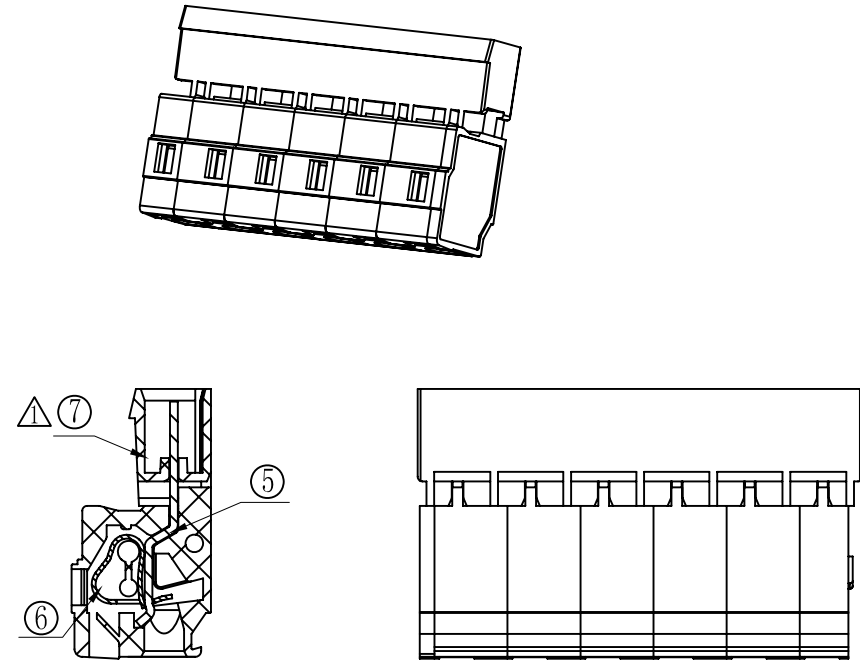
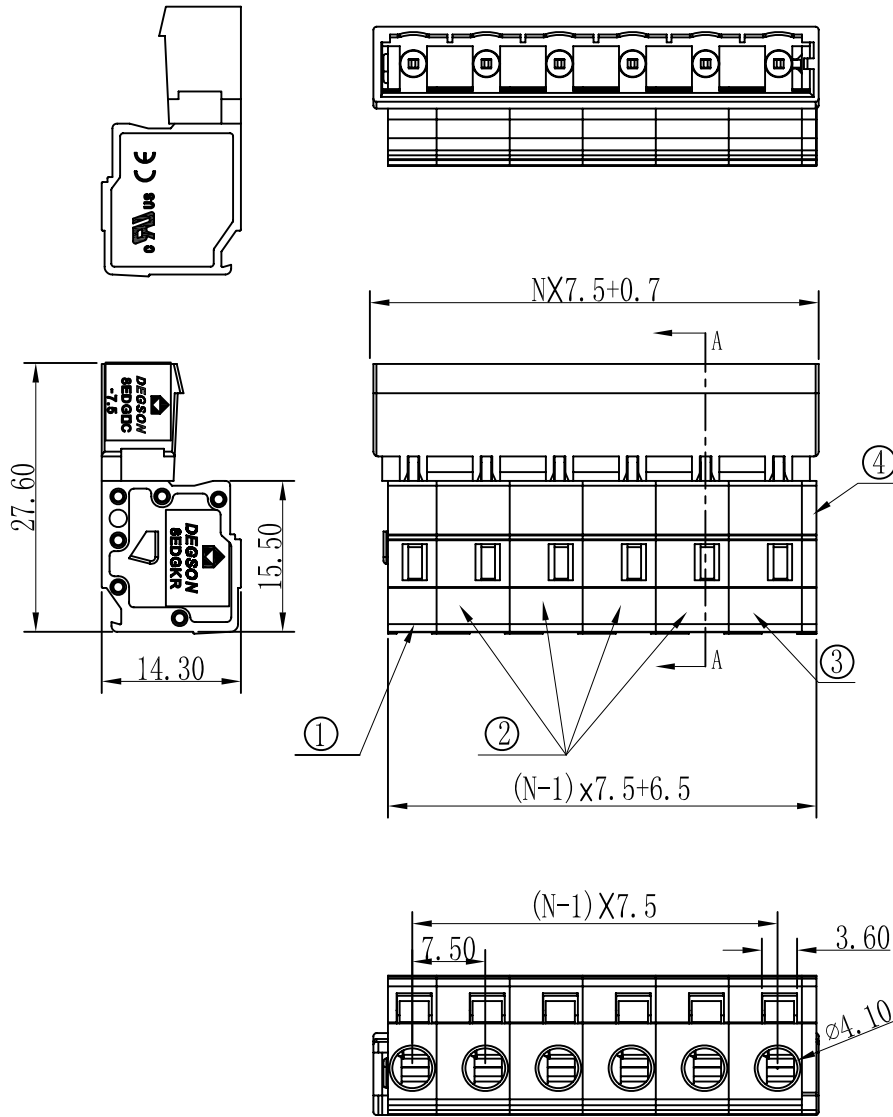


REVISION RECORD					
REV	ECN	DESCRIPTION	DRFT	DATE	
△	10-0017	8EDGV/RC-7.5-塑体由T0改为T1	HXG	04/07/10*	



Notes:

1. Pitch:7.5mm ,Poles:2-24P
2. Rated voltage/current:UL1059 300V/15A
IEC 400V/20A
3. Operation temperatures:-40°C~+105°C
4. Withstanding Voltage:AC2000V/1Min
5. Insulation Resistance:5000MΩ/DC1000V
6. Wire Range:28~12AWG, 0.2-2.5mm²
7. Undimensioned Tolerances:

Pitch range in mm		Nominal dimension range in mm					
to 6	over 6 to 10	over 10 to 24	to 30	over 30 to 60	over 60 to 100	over 100 to 150	∩ ◇
±0.10	±0.15	±0.25	±0.2	±0.3	±0.5	±0.7	±1

7	8EDGV/RC-7.5-HOUSING△	1122A41XXA (H)	1	PA66	UL94R-0
6	DG242-SPRING	X000000990 (H)	XX	Stainless Steel	
5	8EDGKR-PIN	1145B00010 (H)	XX	Phosphor Bronze	SnCe plated
4	8EDGKR-5.0-CORER	1145C4101A (H)	1	PA66	UL94R-0
3	8EDGKR-7.5-SIDE HOUSING2	1147A4101C (H)	1	PA66	UL94R-0

2	8EDGKR-7.5-HOUSING	1147A4101A (H)	XX-2	PA66	UL94R-0
1	8EDGKR-5.0-HOUSING	1145A4101A (H)	1	PA66	UL94R-0
ITEM	NAME OF PART	NO. OF PART	Q"TY	MATERIAL	NOTES

DETACHED LISTS	MM (INCH)	DFTO HXG	DATE 03/25/09*	宁波高正电子有限公司 DEGSON ELECTRONICS CO., LTD	
	TOLERANCES EXCEPT AS NOTED	CHKD	DATE		
		MFO	DATE		
		APPVL	DATE		
	MM			NAME	
	.0 ±	±		8EDGKR-7.5-XXP-11-01A (H)	
	.00 ±	±		DRAWING NO. 8EDGKR-7.5-E01	SIZE A4
	.000 ±	±		/PART NO.	REV T1 04/07/10*
	ANGLES ± 1°	G.E :		DO NOT SCALE DRAWING	SHEET 1 OF 1
	THIRD ANGLE PROJECTION	FINISH :			
		SCALE :			