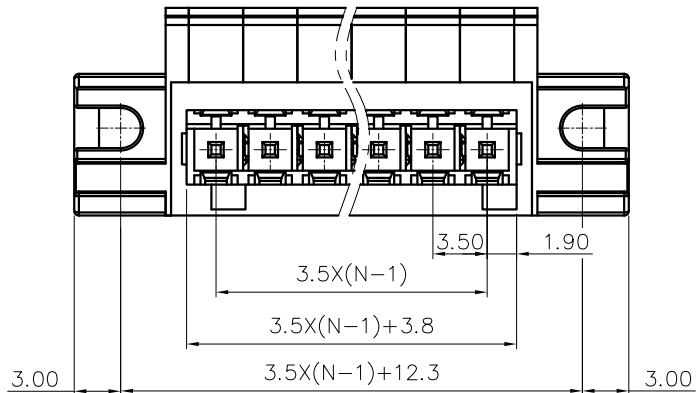


REVISION RECORD				
REV	ECN	DESCRIPTION	DRFT	DATE



NOTES1:

UL Standard

1. Rated voltage/current : 300V / 10A
2. Withstanding voltage : AC1600V/1Min.
3. Wire range : 28~14AWG

IEC Standard

1. Pollution Degree	3
Overvoltage Category	III
Rate Impulse Voltage(KV)	2.5KV
Rate Voltage(V)	250V
Rate Current(A)	10A

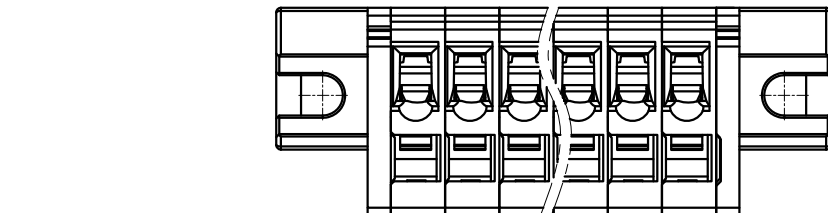
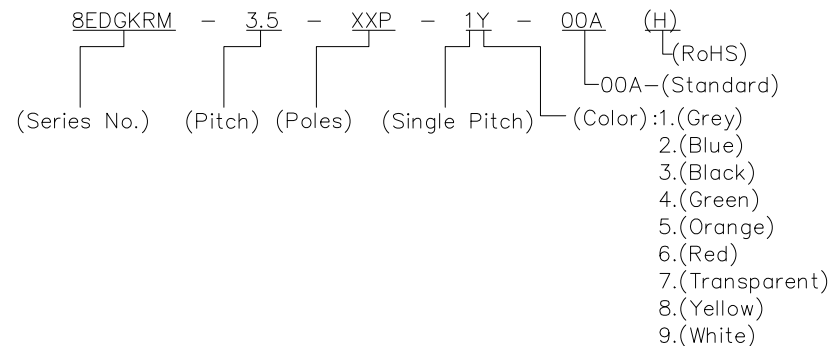
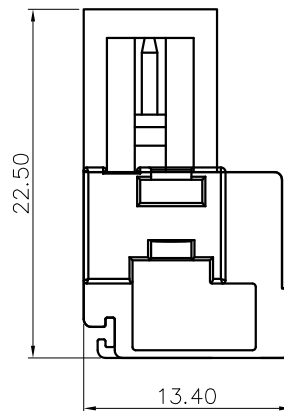
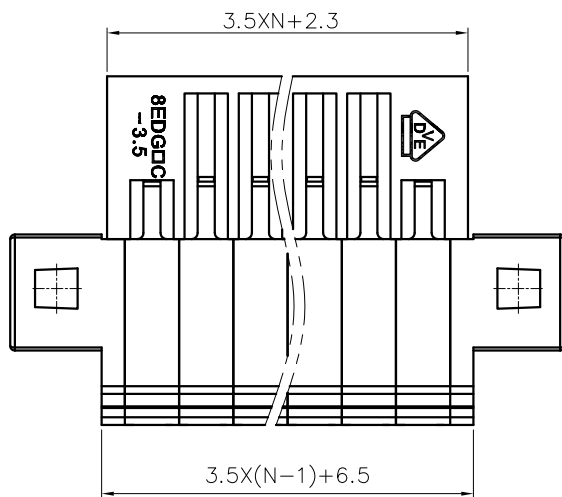
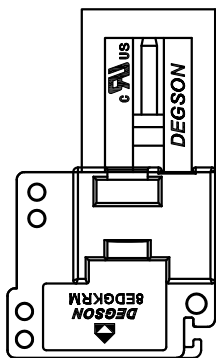
2. Wire range : 0.2~1.5mm<sup>2</sup>

NOTES2:

1. Dimension shall be interpreted per ASME Y14.5-2009
2. Pitch : 3.5mm, Poles : N=02~24P
3. Stripping length : 5~6mm
4. Operating temperature: -40°C~+105°C
5. Undimensioned tolerances:

Pitch range in mm		Nominal dimension range in mm					0.1/10	
TO	Over TO	TO	Over TO	Over TO	Over TO	Over TO		
6	10	30	60	100	150	<		
10	24	30	60	100	150	<		
±0.15	±0.20	±0.30	±0.30	±0.50	±0.70	±1.00	±1.30	±2'

6. RoHS Compliance



DETACHED LISTS	PART NO.:	/			
	APPD:	/			
	CHKD:	/			
	DRFT:	/			
	THIRD ANGLE PROJECTION		DRAWING NO.:		MM (INCH)
		DO NOT SCALE DRAWING		SCALE	
		TITLE: CUSTOMER DRAWING		REV	
		NAME: NINGBO DEGSON ELECTRICAL CO., LTD		DO	
		8EDGKRM-3.5-XXP-1Y-00A(H)		SHEET	
				1/1	
				1:1	