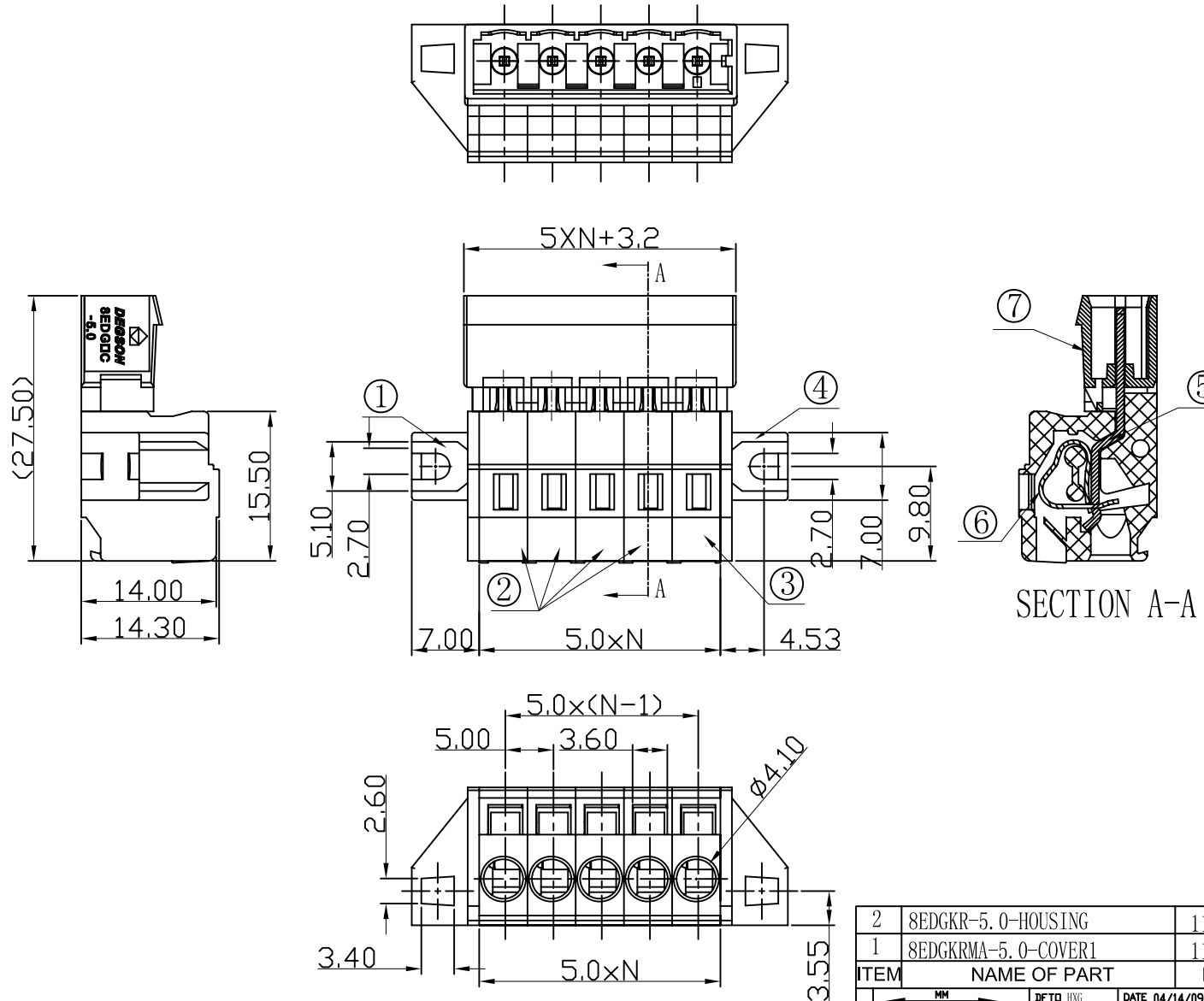


REVISION RECORD					
REV	ECD	DESCRIPTION	DRFT	DATE	
△	10-0121	更新图面	HD	05/13/10'	



- Notes:
- Pitch: 5.0mm , Poles: 2-24P
  - Rated voltage/current: UL1059 300V/15A  
IEC 320V/20A
  - Operation temperatures: -40°C ~ +105°C
  - Withstanding Voltage: AC2000V/1Min
  - Insulation Resistance: 5000Ω / DC1000V
  - Wire Range: 28~12AWG, 2.5mm<sup>2</sup>
  - Undimensioned Tolerances:

Pitch range in mm		Nominal dimension range in mm						
to	over	to	to	to	to	to	to	
6	6	10	10	30	60	100	150	∅
6	10	24	30	60	100	150		∇
±0.10	±0.15	±0.25	±0.2	±0.3	±0.5	±0.7	±1.0	0.05/0.1

7	8EDGVC-5.0-HOUSING	1089A41XXA(H)	1	PA66	UL94V-0
6	DG242-SPRING	X000000990(H)	XX	Stainless Steel	
5	8EDGKR-PIN	1145B00010(H)	XX	Phosphor Bronze SnCe plated	
4	8EDGKRMA-5.0-COVER2	1145C4101C(H)	1	PA66	UL94V-0
3	8EDGKR-5.0-SIDE HOUSING	1145A4101C(H)	1	PA66	UL94V-0

2	8EDGKR-5.0-HOUSING	1145A4101A(H)	XX-1	PA66	UL94V-0
1	8EDGKRMA-5.0-COVER1	1145C4101B(H)	1	PA66	UL94V-0
ITEM	NAME OF PART	NO. OF PART	Q'TY	MATERIAL	NOTES
DETAILED LISTS		MM (INCH)	DFTD HXG	DATE 04/14/09'	宁波高正电子有限公司 DEGSON ELECTRONICS CO., LTD
TOLERANCES EXCEPT AS NOTED		CHKD	DATE	NAME	
MM		MFD	DATE	8EDGKRMA-5.0-XXP-11-01A(H)	
.0 ±		APPVL	DATE		
.00 ±		MATERIAL :			DRAWING NO. 8EDGKRMA-5.0-E01
.000 ±		ANGLES ± 1°			/PART NO.
THIRD ANGLE PROJECTION		FINISH:			SIZE A4
		SCALE :			REV T1 05/13/10'
DO NOT SCALE DRAWING				SHEET 1	OF 1