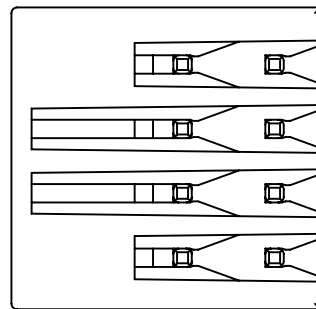
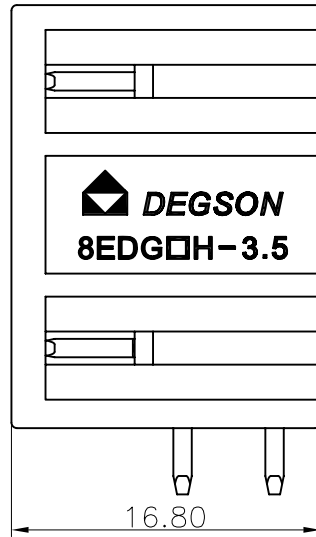
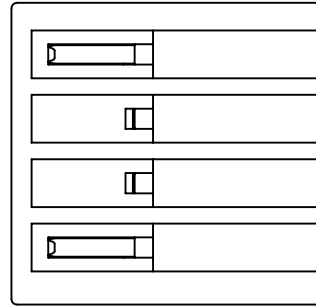


PCB LAYOUT (REF)

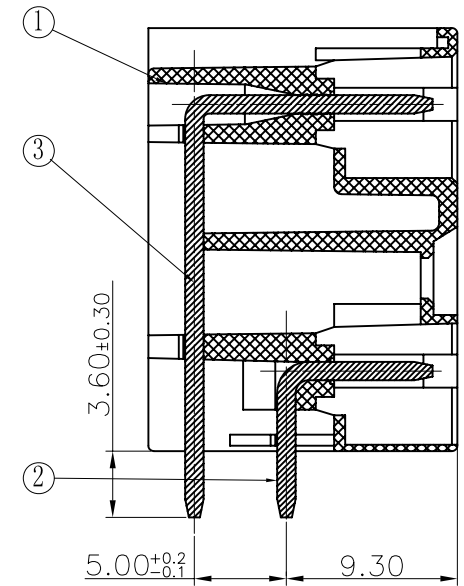
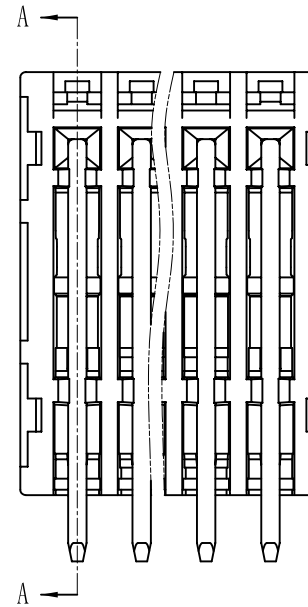
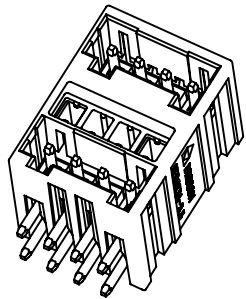
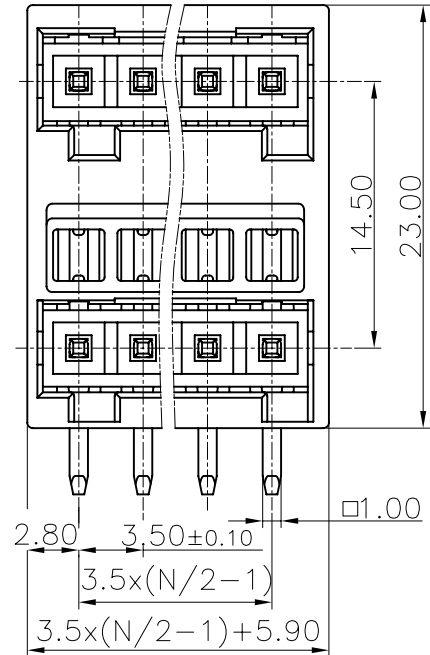


Notes:

1. Pitch: 3.5mm, Poles: 4-24P
2. Rated current/voltage: UL1059 300V/10A
IEC 250V/10A
3. Operation temperatures: -40°C ~ +105°C
4. Withstanding Voltage: AC2000V/1min
5. Insulation Resistance: 5000MΩ/DC1000V
6. Undimensioned Tolerances:

REVISION RECORD				
REV	ECO	DESCRIPTION	DRFT	DATE

Pitch range in mm		Nominal dimension range in mm					—
to 6	over 6 to 10	over 10 to 24	to 30	over 30 to 60	over 60 to 100	over 100 to 150	over 150
±0.10	±0.15	±0.25	±0.2	±0.3	±0.5	±0.7	±1
							0.05/10



SECTION A-A

ITEM	NAME OF PART	NO. OF PART	Q'TY	MATERIAL	NOTES
3	8EDGRH-3.5-Pin header	1217B00010 (H)	XX/2	Copper	SnCe plated
2	8EDGRC-3.5-Pin header	1115B00040 (H)	XX/2	Copper	SnCe plated
1	8EDGRH-3.5-Housing	1217A0YXXA (H)	1	PA66	UL94V-0

DETACHED LISTS	MM (INCH)	DFTO Zhuwm	DATE 11/26/08*	宁波高正电子有限公司 DEGSON ELECTRONICS CO., LTD		
	TOLERANCES EXCEPT AS NOTED		CHKD			DATE
			MFO			DATE
			APPVL			DATE
MM		MATERIAL :		NAME		
.0 ±	±			8EDGRH-3.5-XXP-1Y-00A (H)		
.00 ±	±	G.E :		DRAWING NO. 8EDGRH-3.5-E01		
.000 ±	±	FINISH :		/PART NO.		
ANGLES ± 1'		SCALE : 1:1		DO NOT SCALE DRAWING		
THIRD ANGLE PROJECTION		SHEET 1 OF 1		SIZE A3	REV TO 07/18/09	