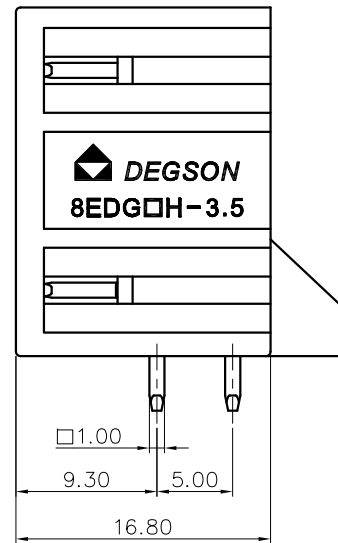
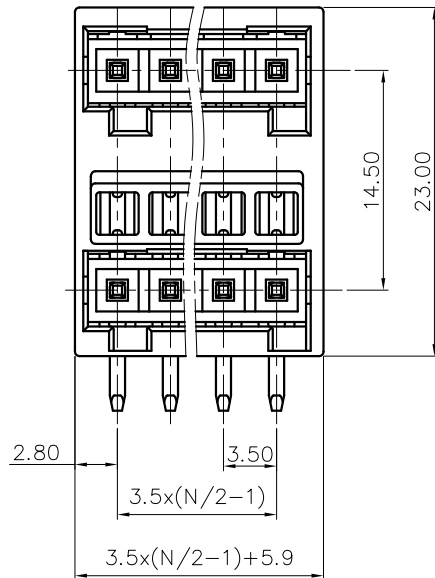
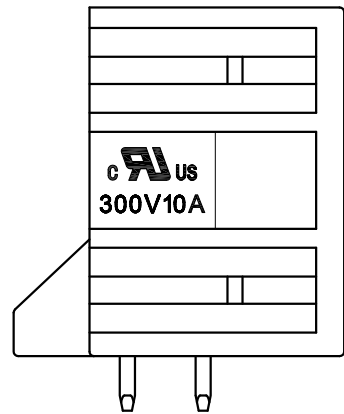


REVISION RECORD				
REV	ECN	DESCRIPTION	DRFT	DATE



NOTES1:

- UL Standard
- 1. Rated voltage/current : 300V / 10A
- 2. Withstanding voltage : AC1600V/1Min.
- IEC Standard

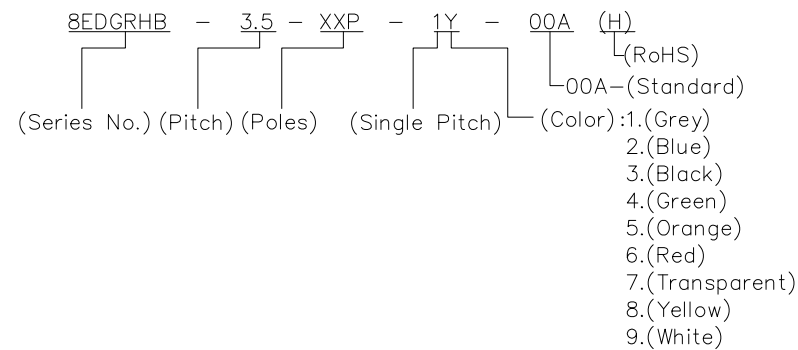
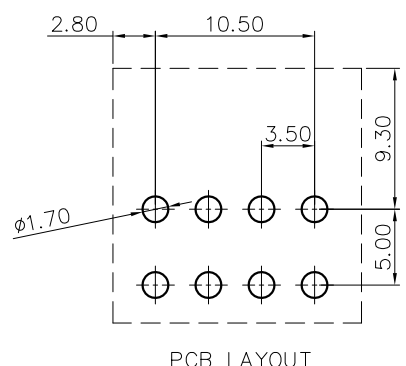
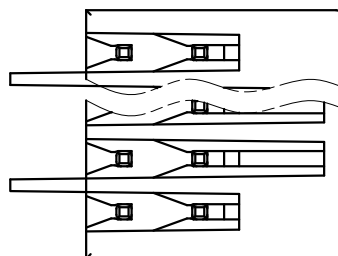
1. Pollution Degree	3
Overtoltage Category	III
Rate Impulse Voltage(KV)	2.5KV
Rate Voltage(V)	250V
Rate Current(A)	10A

NOTES2:

- 1. Dimension shall be interpreted per ASME Y14.5-2009
- 2. Pitch : 3.5mm, Poles : N=04~24P
- 3. Operating temperature: -40°C~+105°C
- 4. Undimensioned tolerances:

Pitch Range In mm		Nominal Dimension Range In mm				Tolerances	
TO	Over TO	TO	Over TO	TO	Over TO	0.1/10	∠
6	10	30	60	100	150	±0.15	±0.2
		30	60	100	150	±0.30	±0.50
		60	100	150		±0.70	±1.00
		100	150			±1.30	±2'

5. RoHS Compliance



DETACHED LISTS	PART NO.:	/			
	APPD:	/			
	CHKD:	/			
	DRFT:	/			
	 THIRD ANGLE PROJECTION		 DRAWING NO.: /		NAME: 宁波高松电子有限公司 NINGBO DEGSON ELECTRICAL CO., LTD
		TITLE: CUSTOMER DRAWING		REV: / DO: /	
		DO NOT SCALE DRAWING		SHEET: 1/1 SCALE: 1:1	