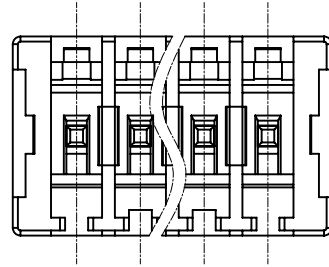


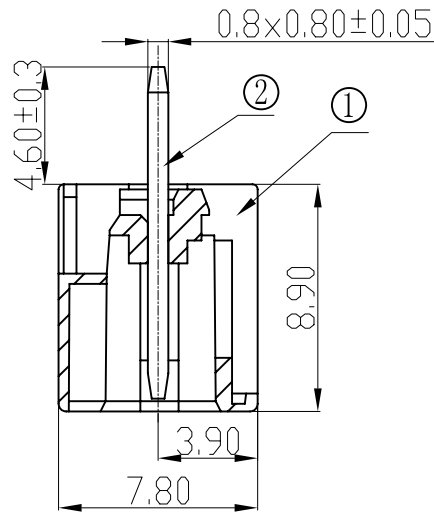
REVISION RECORD				
REV	ECN	DESCRIPTION	DRFT	DATE



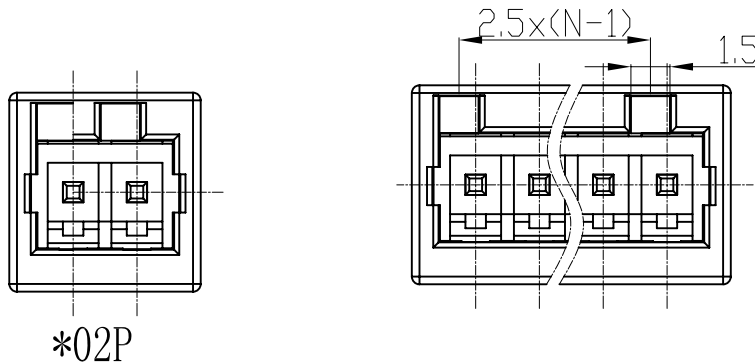
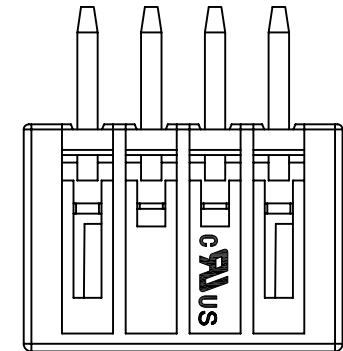
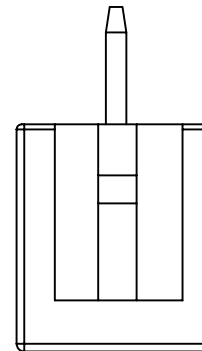
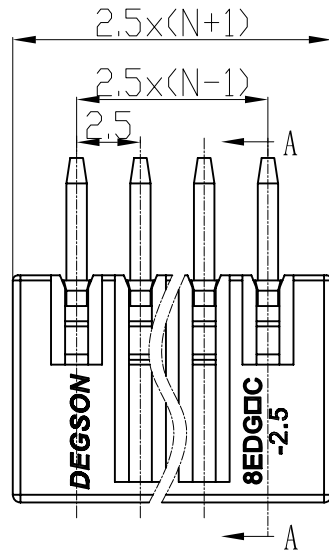
Notes:

1. Pitch: 2.50mm, 2-12P;
2. Rated voltage/current: UL 150V 4A
IEC 250V 4A
3. Operation temperatures: -40°C ~ +105°C
4. Withstanding Voltage: AC2000V/1Min
5. Insulation Resistance: 5000MΩ/DC1000V
6. Undimensioned Tolerances:

Pitch range in mm			Nominal dimension range in mm				—
to	over	to	to	over	over	over	—
6	6 to 10	10 to 24	30 to 60	60 to 100	100 to 150	150	∩ ∇
±0.10	±0.15	±0.25	±0.2	±0.3	±0.5	±0.7	±1
							0.05/10



SECTION A-A



2	8EDGVC-2.5 Header	1128B00010 (H)	XX	Brass	SnCe																
1	8EDGV/RC-2.5 Housing	1128A0YXXA (H)	1	PA66	UL94V-0																
ITEM	NAME OF PART	NO. OF PART	Q'TY	MATERIAL	NOTES																
<table border="1"> <tr> <td>MM (INCH)</td> <td>DF TO HD</td> <td>DATE</td> <td>07/20/10*</td> </tr> <tr> <td>TOLERANCES EXCEPT AS NOTED</td> <td>CHKD</td> <td>DATE</td> <td></td> </tr> <tr> <td></td> <td>MFD</td> <td>DATE</td> <td></td> </tr> <tr> <td></td> <td>APPVL</td> <td>DATE</td> <td></td> </tr> </table>		MM (INCH)	DF TO HD	DATE	07/20/10*	TOLERANCES EXCEPT AS NOTED	CHKD	DATE			MFD	DATE			APPVL	DATE		宁波高正电子有限公司 DEGSON ELECTRONICS CO., LTD			
MM (INCH)	DF TO HD	DATE	07/20/10*																		
TOLERANCES EXCEPT AS NOTED	CHKD	DATE																			
	MFD	DATE																			
	APPVL	DATE																			
<table border="1"> <tr> <td>MM</td> <td>±</td> </tr> <tr> <td>.0 ±</td> <td>±</td> </tr> <tr> <td>.00 ±</td> <td>±</td> </tr> <tr> <td>.000 ±</td> <td>±</td> </tr> </table>		MM	±	.0 ±	±	.00 ±	±	.000 ±	±	NAME											
MM	±																				
.0 ±	±																				
.00 ±	±																				
.000 ±	±																				
ANGLES ± 1°		MATERIAL :																			
		G.E :																			
THIRD ANGLE PROJECTION		FINISH:																			
SCALE : 1?1		DRAWING NO. 8EDGVC-2.5-E02																			
		/PART NO.																			
		SIZE A4																			
		REV TO 07/20/10*																			
DO NOT SCALE DRAWING				SHEET 1 OF 1																	