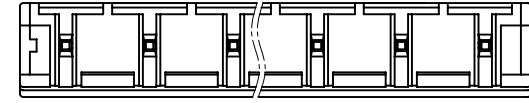
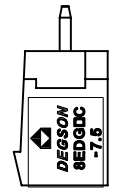


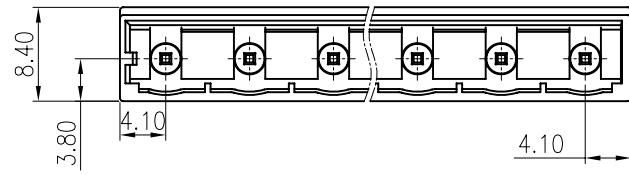
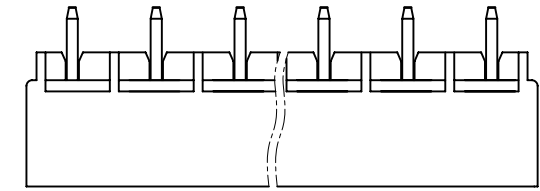
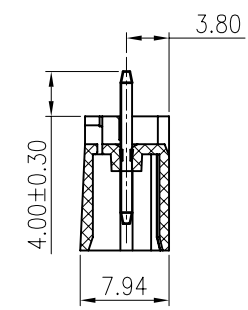
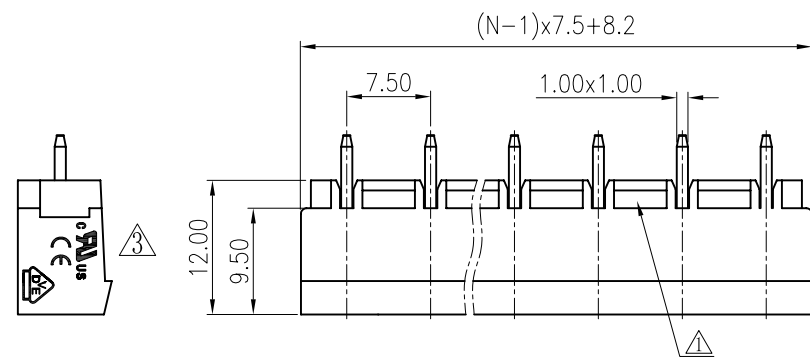
REVISION RECORD				
REV	ECN	DESCRIPTION	DRFT	DATE
△	10-0017	8EDGV/RC-7.5-塑体由T0改为T1	HXG	04/07/10
△	10-0222	增加UL, CE刻字	Jordan, Y	07/15/10
△	10-0360	增加“VDE”认证标志	Jinhai, Lan	09/04/10



Notes:

1. Pitch: 7.5mm , Poles:2-12P
2. Rated voltage/current:UL 300V/15A
VDE 400V/20A
3. Withstanding voltage: AC2500V/1min
4. Insulation resistance:5000MΩ/DC1000V
5. Operation temperatures:-40° C~+105° C
6. Undimensioned Tolerances:

Pitch range in mm			Nominal dimension range in mm					—
to 6	over 6 to 10	over 10 to 24	to 30	over 30 to 60	over 60 to 100	over 100 to 150	∩	
±0.10	±0.15	±0.25	±0.2	±0.3	±0.5	±0.7	±1.0	
							G05/10	



2	2EDGV Pin header	1007B00030 (H)	XX	Brass	SnCe												
1	8EDGV/RC-7.5-Housing	1122A41XXA (H)	1	PA66	UL94V-0												
ITEM	NAME OF PART	NO. OF PART	Q'TY	MATERIAL	NOTES												
<table border="1"> <thead> <tr> <th>MM (INCH)</th> <th>DF TO LIN</th> <th>DATE</th> </tr> </thead> <tbody> <tr> <td>TOLERANCES EXCEPT AS NOTED</td> <td>CHKD</td> <td>DATE</td> </tr> <tr> <td></td> <td>MFD</td> <td>DATE</td> </tr> <tr> <td></td> <td>APPVL</td> <td>DATE</td> </tr> </tbody> </table>		MM (INCH)	DF TO LIN	DATE	TOLERANCES EXCEPT AS NOTED	CHKD	DATE		MFD	DATE		APPVL	DATE	12/22/08' DEGSON® 宁波高正电子有限公司 DEGSON ELECTRONICS CO., LTD			
MM (INCH)	DF TO LIN	DATE															
TOLERANCES EXCEPT AS NOTED	CHKD	DATE															
	MFD	DATE															
	APPVL	DATE															
DETACHED LISTS		NAME															
<table border="1"> <thead> <tr> <th>MM</th> <th></th> </tr> </thead> <tbody> <tr> <td>.0 ±</td> <td>±</td> </tr> <tr> <td>.00 ±</td> <td>±</td> </tr> <tr> <td>.000 ±</td> <td>±</td> </tr> </tbody> </table>		MM		.0 ±	±	.00 ±	±	.000 ±	±	8EDGVC-7.5-XXP-11-01A (H)							
MM																	
.0 ±	±																
.00 ±	±																
.000 ±	±																
ANGLES ± 1°		G.E :															
		FINISH:															
THIRD ANGLE PROJECTION		SCALE : 1:1		DRAWING NO. 8EDGVC-7.5-E01													
		DO NOT SCALE DRAWING		SIZE A3													
		SHEET 1 OF 1		REV T3 09/04/10													