

REVISION RECORD				
REV	ECN	DESCRIPTION	DRFT	DATE

NOTES1:

UL Standard

- 1.Rated voltage/current : 300V / 15A
- 2.Withstanding voltage : AC1600V/1Min.

IEC Standard

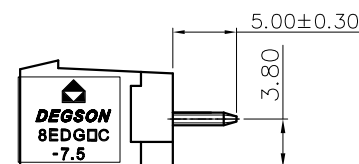
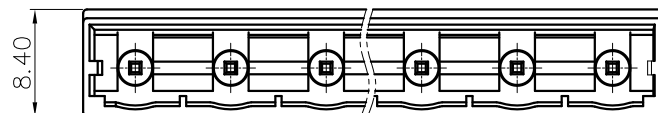
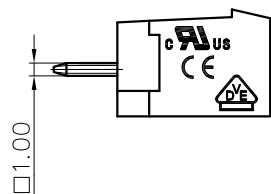
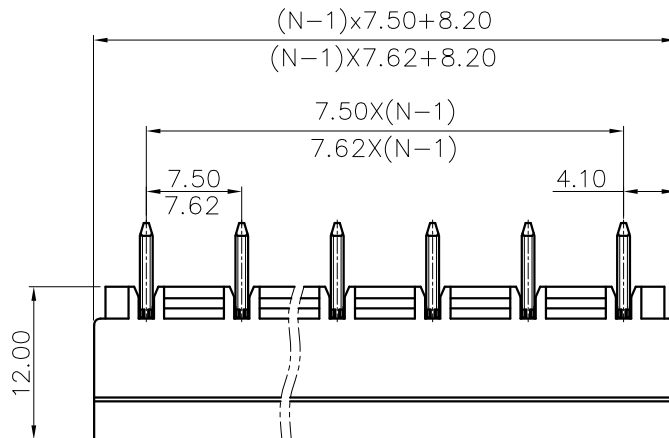
1. Pollution Degree	3
Overvoltage Category	III
Rate Impulse Voltage(KV)	4.0KV
Rate Voltage(V)	400V
Rate Current(A)	20A

NOTES2:

- 1.Dimension shall be interpreted per ASME Y14.5-2009
- 2.Pitch : 7.50/7.62mm, Poles : N=02~12P
- 3.Operating temperature:-40°C~+105°C
- 4.Undimensioned tolerances:

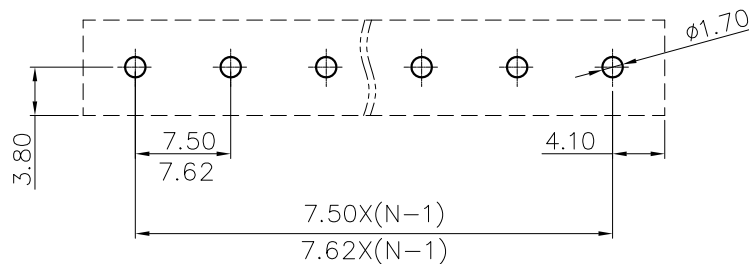
Pitch range in mm	Nominal dimension range in mm			Tolerance
	Over 6 TO 10	Over 10 TO 24	Over 30 TO 60	
±0.15	±0.20	±0.30	±0.30	±0.50
±0.20	±0.30	±0.30	±0.50	±0.70
±0.30	±0.30	±0.50	±0.70	±1.00
±0.50	±0.70	±1.00	±1.30	±2.00

5.RoHS Compliance



8EDGVC -7.50/7.62 - XXP - 1Y - 00A (H)

(Series No.) (Pitch) (Poles) (Single Pitch) (Color):1.(Grey)
 2.(Blue)
 3.(Black)
 4.(Green)
 5.(Orange)
 6.(Red)
 7.(Transparent)
 8.(Yellow)
 9.(White)



PCB LAYOUT

DETACHED LISTS	PART NO.:	/			宁波高松电子有限公司 NINGBO DEGSON ELECTRICAL CO., LTD	
	APPD:	/	NAME:		8EDGVC-7.50/7.62-XXP-1Y-00A(H)	
	CHKD:	/	TITLE:		CUSTOMER DRAWING	REV
	DRFT:	/	DRAWING NO.:		/	SHEET
THIRD ANGLE PROJECTION		DO NOT SCALE DRAWING		SCALE	1:1	