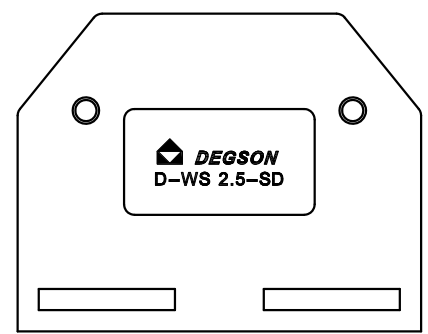
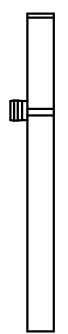
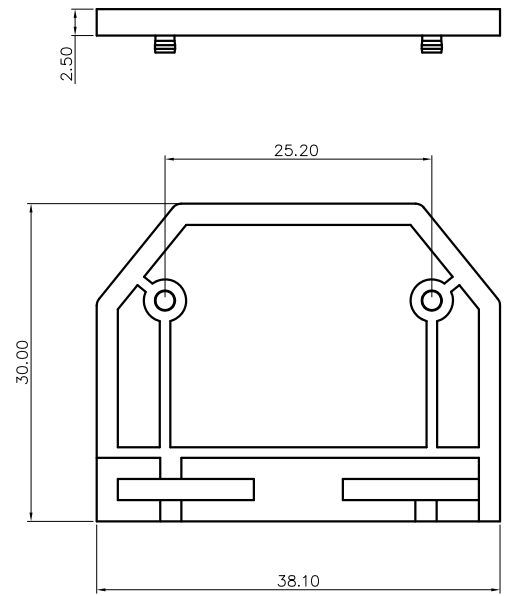


REVISION RECORD				
REV	ECN	DESCRIPTION	DRFT	DATE



- NOTES:
- 1.Dimension shall be interpreted per ASME Y14.5-2009
 - 2.Pitch : 2.5mm, Poles : N=01P
 - 3.Operating temperature:-40°C~+105°C
 - 4.Undimensioned tolerances:

Pitch range in mm		Nominal dimension range in mm				-	∩	□
TO	Over	Over	TO	Over	Over	Over	0.1/10	
6	10	10	24	30	60	100	150	
±0.15	±0.20	±0.30	±0.30	±0.50	±0.70	±1.00	±1.30	±2*

5.RoHS Compliance

D-WS2.5-SD - 01P - 1Y - 00A (H)

(Series No.) (Poles) (Single Pitch) (Color):1.(Grey)
 2.(Blue)
 3.(Black)
 4.(Green)
 5.(Orange)
 6.(Red)
 7.(Transparent)
 8.(Yellow)
 9.(White)

(RoHS)
 00A-(Standard)

DETACHED LISTS	PART NO.:	/			
	APPD:	/			
	CHKD:	/			
	DRFT:	/			
	<p>THIRD ANGLE PROJECTION</p>		<p>MM (INCH)</p>		DO NOT SCALE DRAWING
NAME: NINGBO DEGSON ELECTRICAL CO., LTD D-WS2.5-SD-01P-1Y-00A(H)		TITLE: CUSTOMER DRAWING	REV	DO	
		DRAWING NO.:	SHEET	1/1	
		SCALE	1:1		