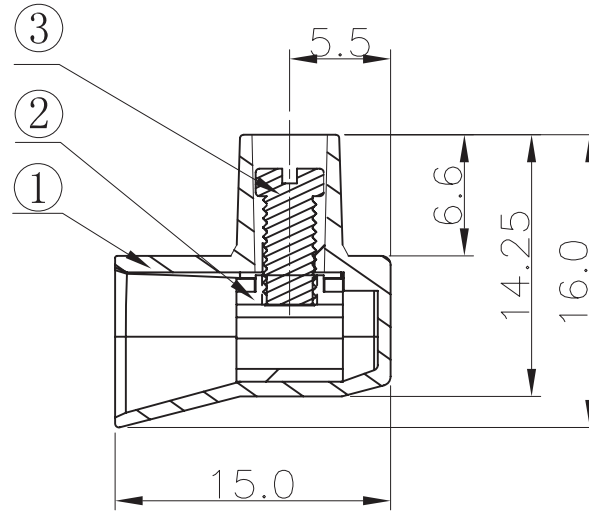
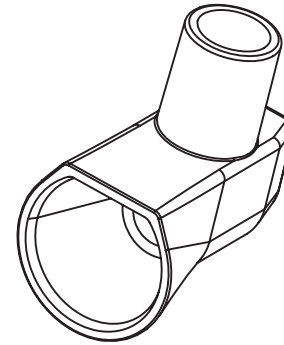
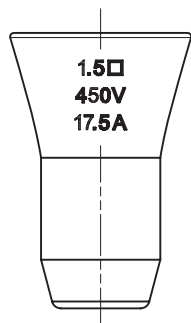
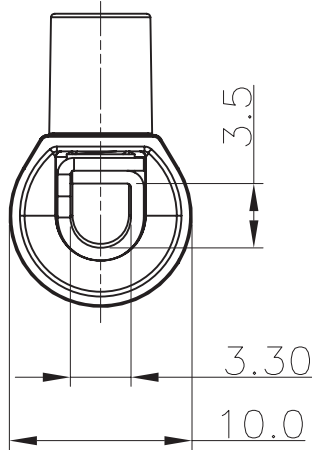
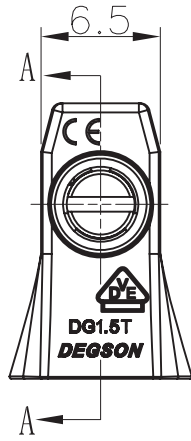


REVISION RECORD				
REV	ECN	DESCRIPTION	DRFT	DATE



Section A-A

Notes:

1. Ploes:1P
2. Rated voltage/Current:IEC 450V 17.5A
3. Operation temperatures:-40°C~+85°C
4. Withstanding Voltage:AC2500V/1Min
5. Insulation Resistance:5000MΩ/DC1000V
6. Wire Range:2x1.5mm²
7. Max. Torque Value:M3.0, 5.10Kgf. cm.

3	DG1.5T"-Screw	S000004140 (H)	1	Steel	Cr ³ Zn
2	DG1.5T-Current carrier	X000003460 (H)	1	Steel	Cr ³ Zn

ITEM	NAME OF PART	NO. OF PART	Q'TY	MATERIAL	NOTES
1	DG1.5T-Housing	2040A0Y01A(H)	1	PC	UL94V-2
TOLERANCES EXCEPT AS NOTED MM (INCH) 0-30 ±0.25 30-60 ±0.3 60-100 ±0.5 100-150 ±0.7 over150 ±1.0		DFTO Apple DATE 07/18/08" CHKD DATE MFO DATE APPVL DATE		宁波高正电子有限公司 DEGSON® DEGSON ELECTRONICS CO., LTD	
DETACHED LISTS ANGLES ± 1° THIRD ANGLE PROJECTION		G.E : FINISH : SCALE :		NAME DG1.5T-01P-1Y-100A(H) DRAWING NO. DG1.5T-E02 /PART NO. DO NOT SCALE DRAWING	
				SIZE A4	REV TO 03/20/10'
				SHEET 1	OF 1