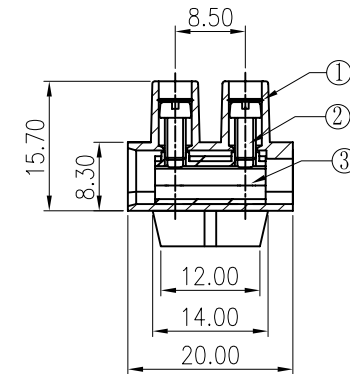
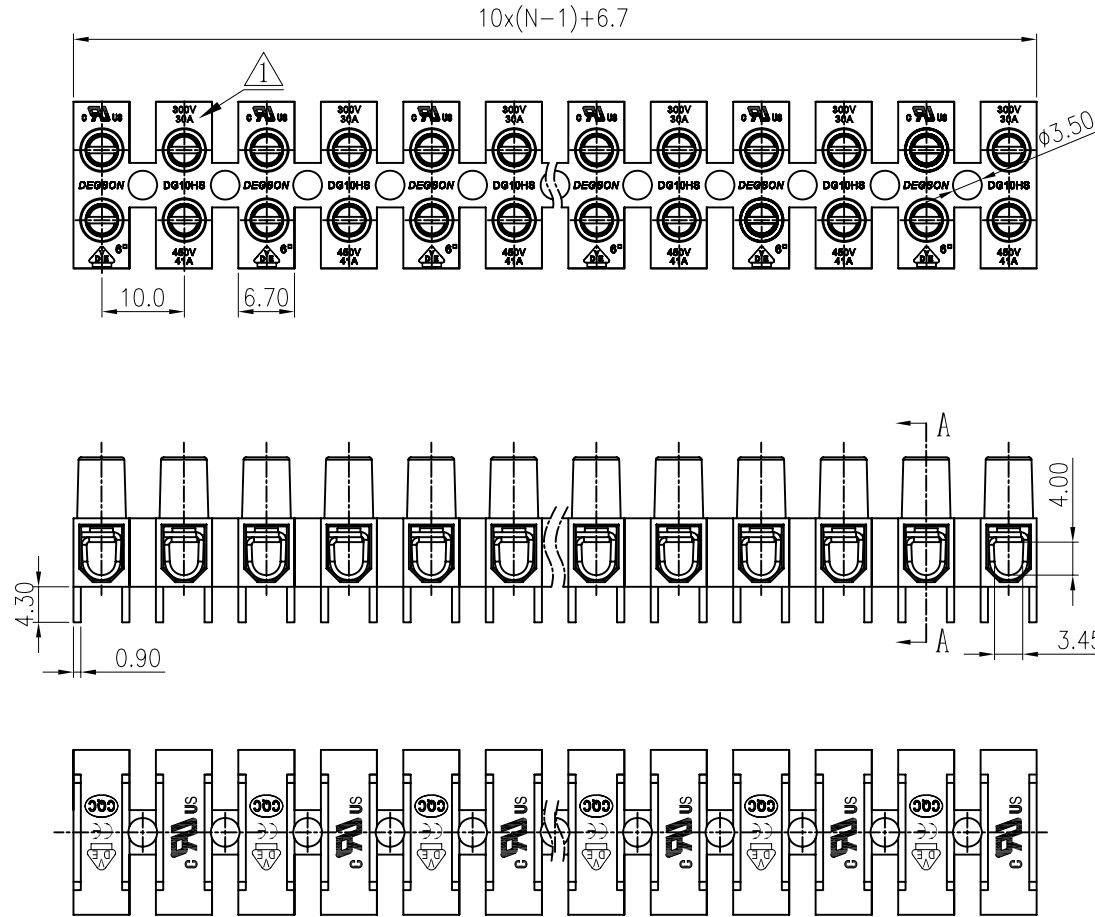


REVISION RECORD				
REV	ECD	DESCRIPTION	DRFT	DATE
△		以额定电流由“20A”改为“30A”	Zengy	06/15/09



Notes:

1. Pitch:10.0, Poles:2-12P
2. Rated voltage/Current:UL 300V 30A △  
VDE 450V 41A
3. Operation temperatures:-40°C~+105°C
4. Withstanding Voltage:AC2000V/1Min
5. Insulation Resistance:5000MΩ/DC1000V
6. Wier Range:18-12AWG, 1-6mm<sup>2</sup>
7. Max. Torque Value:M3, 5.1kgf.cm
8. Undimensioned Tolerances:

Pitch range in mm			Nominal dimension range in mm					
	over 6	over 10	to 30	over 30	over 60	over 100	over 150	
to 6	to 10	to 24	to 30	to 60	to 100	to 150		○
±0.10	±0.15	±0.25	±0.2	±0.3	±0.5	±0.7	±1.0	◇

3	DG10HS-Current carrier	X000002130 (H)	XX	Steel	Cr <sup>3+</sup> Zn
2	DG10HS"-Screw	S000003000 (H)	XX*2	Steel	Cr <sup>3+</sup> Zn
1	DG10HS-4.3 Housing	2035A0YXXA (H)	1	PA66	UL94V-2
ITEM	NAME OF PART	NO. OF PART	Q'TY	MATERIAL	NOTES
DEGSON		宁波高正电子有限公司 DEGSON ELECTRONICS CO., LTD			
NAME		DG10HS-4.3-XXP-1Y-100A(H)			
DRAWING NO. DG10HS-4.3-E02		SIZE	REV T1		
/PART NO.		A4	06/15/09		
DD NOT SCALE DRAWING				SHEET 1	OF 1