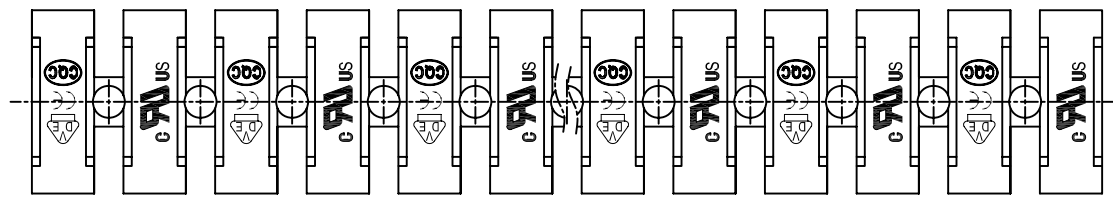
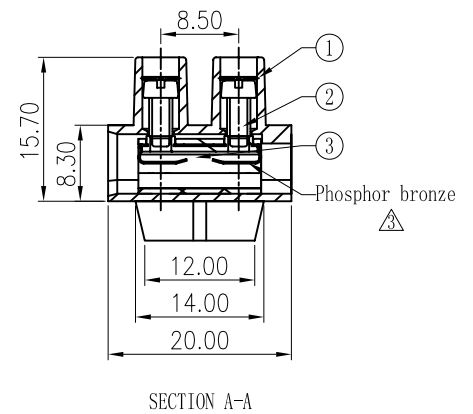
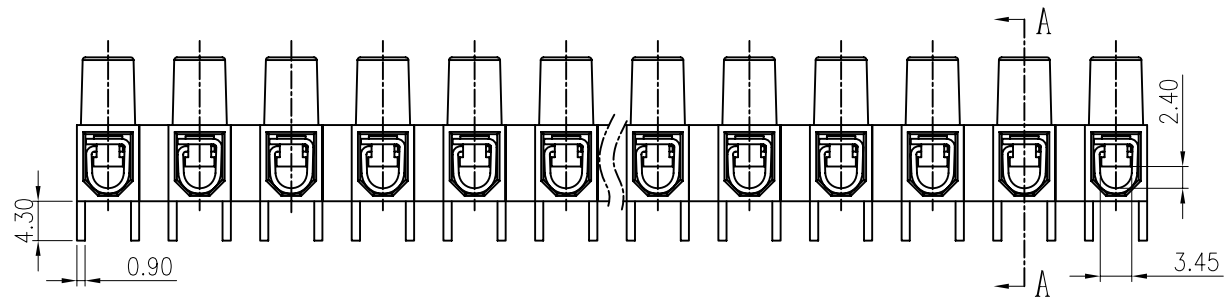
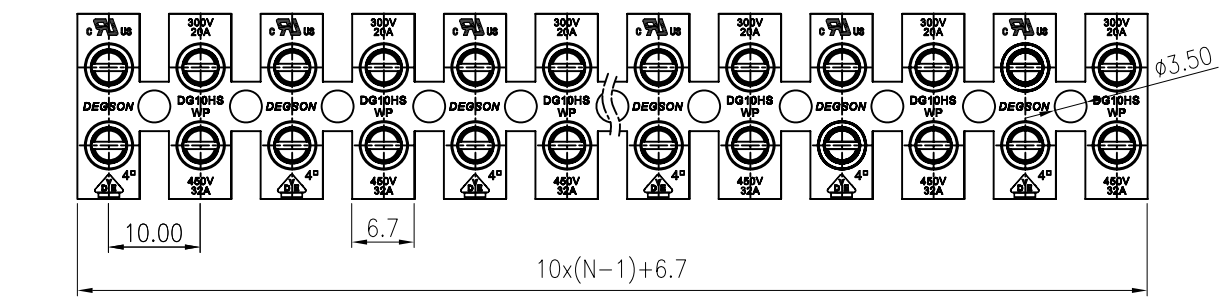


REVISION RECORD				
REV	ECN	DESCRIPTION	DRFT	DATE
△		DG10HS塑件改为DG10HSTP塑件	LJH	10/18/08*
△		品名由00A(H)修改为100A(H)	WLM	12/02/08*
△	09-0075	增加弹片材质备注	LJH	10/05/09*



Notes:

- Pitch:10.0, Poles:2-12P
- Rated voltage/Current:UL 300V/20A
VDE 450V/32A
- Operation temperatures:-40°C~+105°C
- Withstanding Voltage:AC2500V/1Min
- Insulation Resistance:5000MΩ/DC1000V
- Wier Range:18-12AWG, 0.5-4mm²
- Max. Torque Value:M2.6, 4.08kgf.cm
- Undimensioned Tolerances:

Pitch range in mm			Nominal dimension range in mm						
	over 6	over 10	to 6	to 10	to 30	to 60	to 100	to 150	
to 6	±0.15	±0.25	±0.2	±0.3	±0.5	±0.7	±1.0	0.05/1.0	□

3	DG10HWP-Current carrier	X000002260 (H)	XX	Steel+ Phosphor bronze	Cr ³⁺ Zn
2	DG10HWP"-Screw	S000004100 (H)	XX*2	Steel	Cr ³⁺ Zn
1	DG10HWP-4.3 Housing	2065A0YXXA (H) △	1	PA66	UL94V-2
ITEM	NAME OF PART	NO. OF PART	Q'TY	MATERIAL	NOTES
DEGSON 宁波高正电子有限公司 DEGSON ELECTRONICS CO., LTD		NAME △ DG10HWP-4.3-XXP-1Y-100A(H)			
DRAWING NO. DG10HWP-4.3-E01		SIZE A4	REV T3 10/05/09*		
/PART NO.		DD NDT SCALE DRAWING		SHEET 1 OF 1	