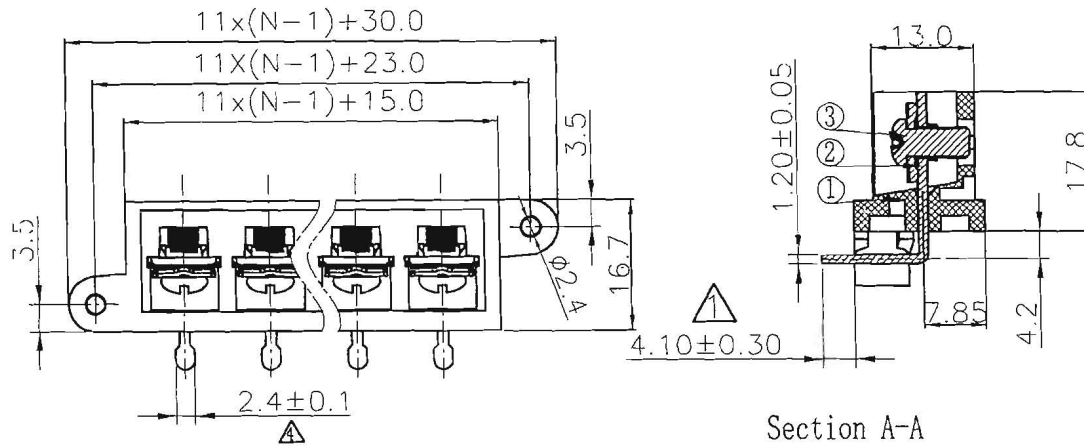
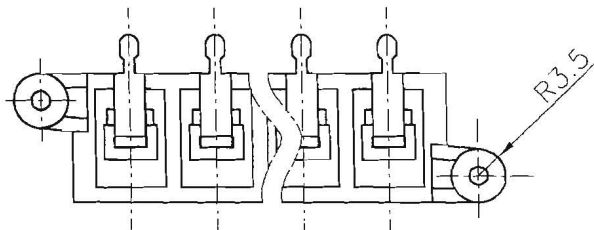
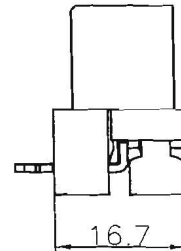
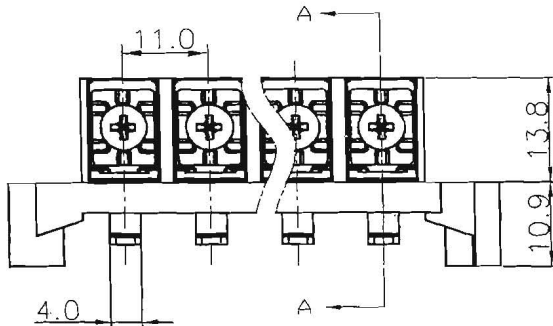


\\Dspan\文档中心\查收图面\11 21 成品图\DG11.dwg, 2006-8-16 7:53:35, Administrator,  
 \\Hxq\hp LaserJet 1000

D1RFRDJ06



Section A-A



REVISION RECORD				
REV	ECG	DESCRIPTION	DRFT	DATE
△		当脚尺寸有变动时请通知研发部 零件A.±0.1, 变更脚A.±0.25	Zhuwm	06/27/05
△		图面更新	CSX	03/04/06
△		图面更新	YeJ	07/20/06
△		针宽依实物改为2.4±0.1	YeJ	08/12/06

Notes:

1. Pitch: 11mm, Poles: 2-11P
2. Rated current: 30A
3. Rated voltage: 24V
4. Operation temperatures: -40° C ~ +80° C
5. Insulation Withstand Voltage: AC2000V/1min
6. Insulation Resistance: 1000MΩ/DC500V
7. Wire Range: 18~10AWG
8. Max. Torque Value: 12.24kgf.cm
9. Undimensioned Tolerances:

Pitch range in mm			Nominal dimension range in mm				
to	over	to	to	over	over	over	
6	10	10	6	30	90	200	□
6	10	24	6	30	90	200	480
±0.10	±0.15	±0.25	±0.1	±0.2	±0.3	±0.5	±0.7



ITEM	NAME OF PART	NO. OF PART	Q'TY	MATERIAL	NOTES
3	M4*8 (8*10) Screws	S000000690	XX	Steel	Gold-plated
2	DG11 Pin header	5020B00030	XX	Brass	Gold-plated
1	DG11-00A Housing	5020A0YXXA	1	PC	UL94V-2

MM (INCH)	DFTO Zhuwm	DATE 06/27/05	宁波高正电子有限公司 DEGSON ELECTRONICS CO., LTD
TOLERANCES EXCEPT AS NOTED	CHKD Haug	DATE 08/12/06	
MM	MFO	DATE	NAME
.05 ±	APPL	DATE 08/17	DG11-A-XXP-1Y-02A
.00 ±	MATERIAL:		DRAWING NO. DG11-E01
.000 ±	G.E.		/PART NO.
ANGLES ± 1'	FINISH:		SIZE A3
THIRD ANGLE PROJECTION	SCALE: 1:1		REV T4
			08/12/06
			DO NOT SCALE DRAWING
			SHEET 1 OF 1

8 | 7 | 6 | 5 | 4 | 3 | 2 | 1