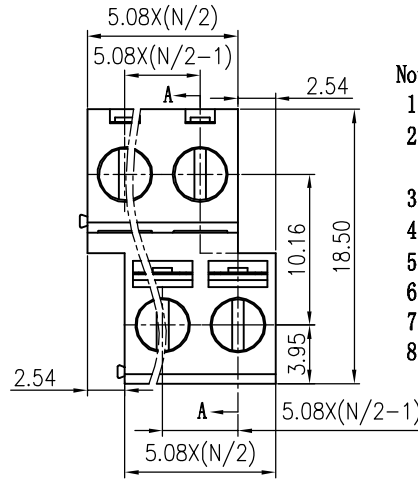
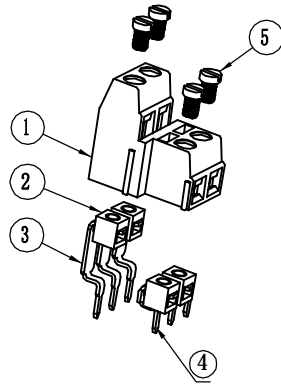


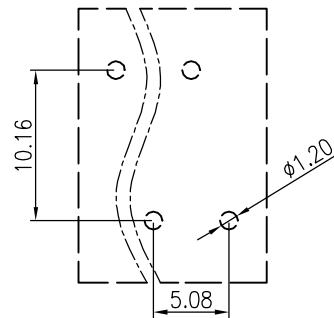
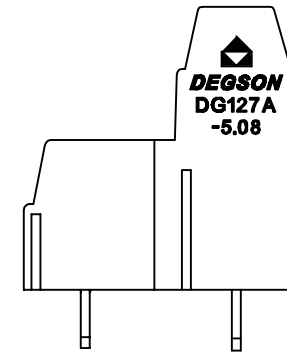
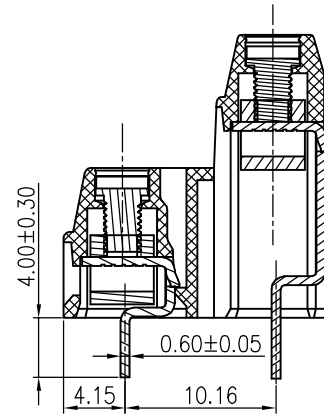
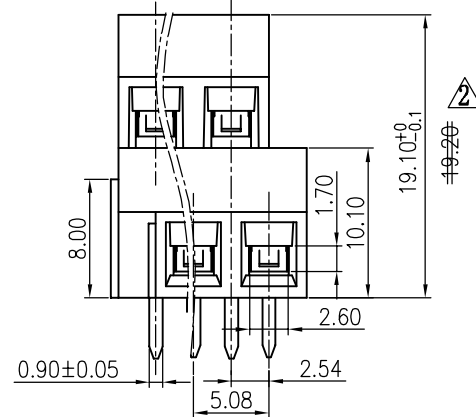
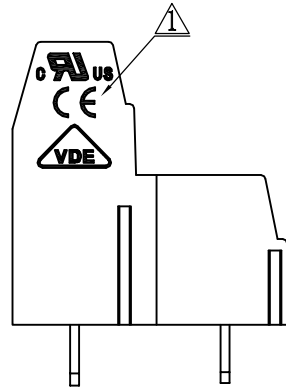
REVISION RECORD					
REV	ECO	DESCRIPTION	DRFT	DATE	
△		增加VDE, UL, CE刻字	Zengy	04/03/08*	
△	00-010	根据客户要求变更	Mickey	12/22/08*	



Notes:

1. Pitch: 5.08mm , Poles: 4P-XXP
2. Rated voltage/current: UL 300V/12A
VDE 250V/15A
3. Operation temperatures: -40°C ~ +105°C
4. Withstanding Voltage: AC2000V/1min
5. Insulation Resistance: 5000MΩ / DC1000V
6. Wire Range: 26-14AWG, 0.5-1.5mm²
7. Max. Torque Value: M2. 5, 4. 08kgf. cm
8. Undimensioned Tolerances:

Pitch range in mm			Nominal dimension range in mm				
to 6	over 6 to 10	over 10 to 24	to 30	over 30 to 60	over 60 to 100	over 100 to 150	—
±0.10	±0.15	±0.25	±0.2	±0.3	±0.5	±0.7	±1.0



3	DG127A-5.08-Pin	4107B00010(H)	XX/2	Brass	SnCe plated
2	DG127 Cage	X000000170(H)	XX	Brass	Ni plated
1	DG127A-5.08-Housing	4107A0YXXA(H)	1	PA66	UL94V-0
ITEM	NAME OF PART	NO. OF PART	Q'TY	MATERIAL	NOTES

<table border="1"> <tr> <td>← MM (INCH) →</td> <td>DFTO Zhwm</td> <td>DATE 04/23/08*</td> </tr> <tr> <td>TOLERANCES EXCEPT AS NOTED</td> <td>CHKD</td> <td>DATE</td> </tr> <tr> <td></td> <td>MFO</td> <td>DATE</td> </tr> <tr> <td></td> <td>APPVL</td> <td>DATE</td> </tr> </table>		← MM (INCH) →	DFTO Zhwm	DATE 04/23/08*	TOLERANCES EXCEPT AS NOTED	CHKD	DATE		MFO	DATE		APPVL	DATE	<p style="text-align: center;">DEGSON® 宁波高正电子有限公司 DEGSON ELECTRONICS CO., LTD</p>	
← MM (INCH) →	DFTO Zhwm	DATE 04/23/08*													
TOLERANCES EXCEPT AS NOTED	CHKD	DATE													
	MFO	DATE													
	APPVL	DATE													
<table border="1"> <tr> <td>MM</td> <td>±</td> </tr> <tr> <td>.0 ±</td> <td>±</td> </tr> <tr> <td>.00 ±</td> <td>±</td> </tr> <tr> <td>.000 ±</td> <td>±</td> </tr> </table>		MM	±	.0 ±	±	.00 ±	±	.000 ±	±	<p>NAME (注: XX为偶数) DG127A-5.08-XXP-1Y-00A(H)</p>					
MM	±														
.0 ±	±														
.00 ±	±														
.000 ±	±														
<table border="1"> <tr> <td>ANGLES ± 1°</td> <td>G.E :</td> </tr> <tr> <td>FINISH :</td> <td></td> </tr> </table>		ANGLES ± 1°	G.E :	FINISH :		<p>DRAWING NO. DG127A-5.08-E01 SIZE A3 REV T2</p>									
ANGLES ± 1°	G.E :														
FINISH :															
<p>THIRD ANGLE PROJECTION</p>		<p>SCALE : 1:1 DO NOT SCALE DRAWING SHEET 1 OF 1</p>													

5	DG127 "—"Screws	S000001450(H)	XX	Steel	Cr ³ Zn
4	DG127-5.08-Pin	4028B00010(H)	XX/2	Brass	SnCe plated