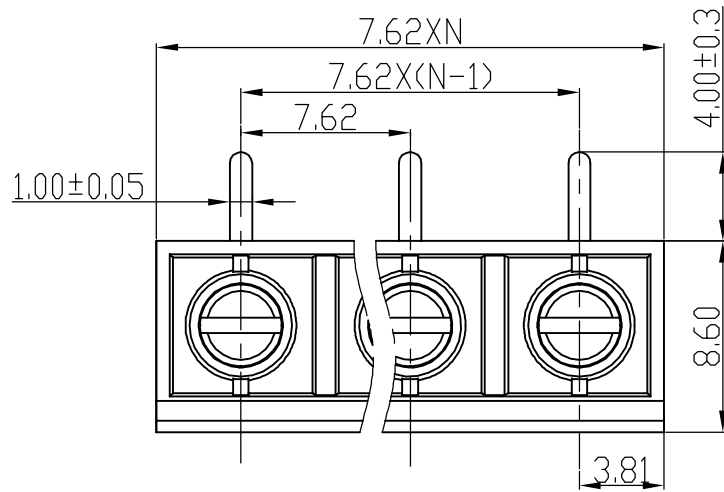


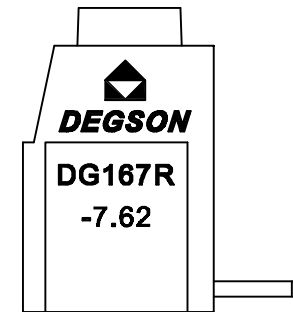
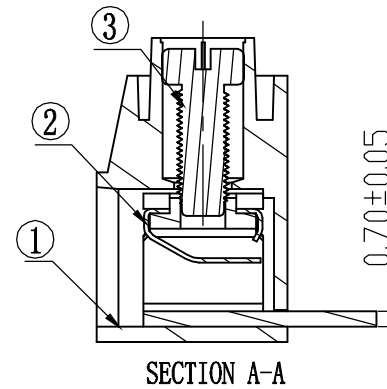
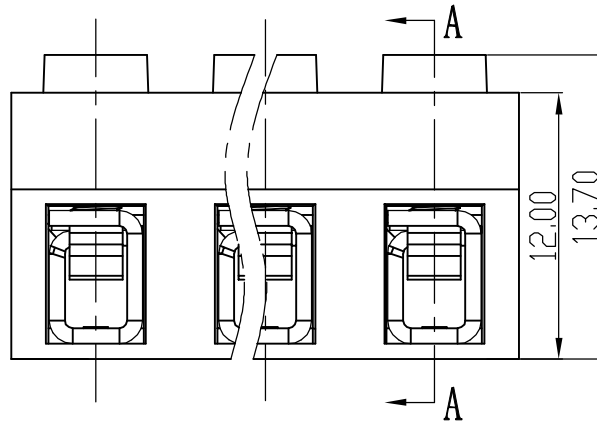
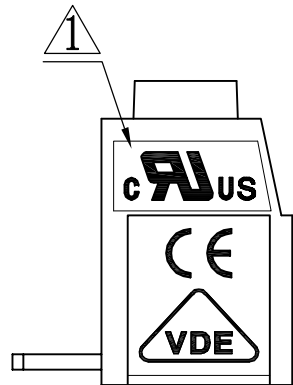
REVISION RECORD				
REV	ECD	DESCRIPTION	DRFT	DATE
△		增加UL, VDE, CE刻字	Zengy	09/09/08



Notes:

1. Pitch: 7.62mm, Poles: 2-12P
2. Rated voltage/current: UL 300V/15A  
VDE 450V/22A
3. Operation temperatures: -40°C ~ +105°C
4. Withstanding Voltage: AC2000V/1Min
5. Insulation Resistance: 5000MΩ / DC1000V
6. Wire Range: 22~12AWG, 0.5~2.5mm<sup>2</sup>
7. Max. Torque Value: M2.5, 4.08kgf.cm
8. Undimensioned Tolerances:

Pitch range in mm		Nominal dimension range in mm					
to 6	over 6 to 10	over 10 to 24	over 30 to 60	over 60 to 100	over 100 to 150	over 150	∩ ◇
±0.10	±0.15	±0.25	±0.2	±0.3	±0.5	±0.7	±1.0 0.05/10



3	DG167 Screws	S000001530 (H)	XX	Steel	3 <sup>#</sup> Cr Zn
2	DG167R Pin header	4023B00010 (H)	XX	Brass	SnCe

1	DG167R-7.62 Housing	4089A0YXXA (H)	1	PA66	UL94V-0
ITEM	NAME OF PART	NO. OF PART	Q'TY	MATERIAL	NOTES
DETAILED LISTS	MM (INCH)	DFTD LIN	DATE 04/08/07	宁波高正电子有限公司 DEGSON ELECTRONICS CO., LTD NAME DG167R-7.62-XXP-1Y-00A(H) DRAWING NO. DG167R-7.62-E01 /PART NO. DO NOT SCALE DRAWING SHEET 1 OF 1	
	TOLERANCES EXCEPT AS NOTED		CHKD DATE		
			MFD DATE		
			APPLV DATE		
			MATERIAL :		
ANGLES ± 1°		G.E :		SIZE A3	
THIRD ANGLE PROJECTION		FINISH:		REV T1 09/09/08	
		SCALE : 1:1			