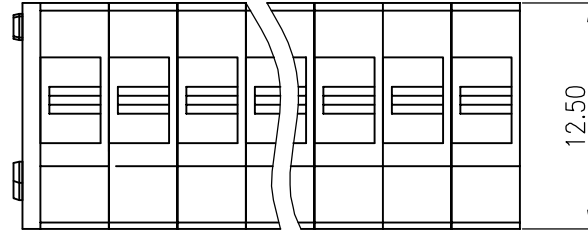
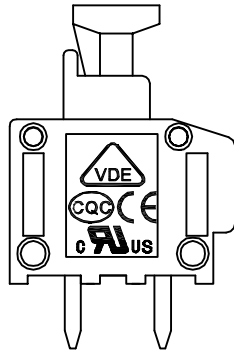


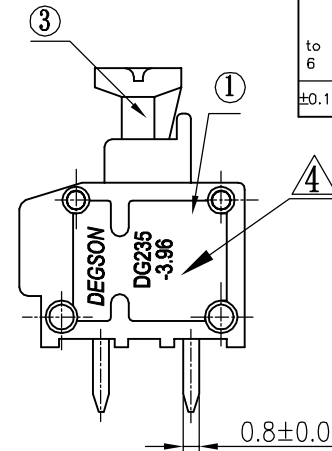
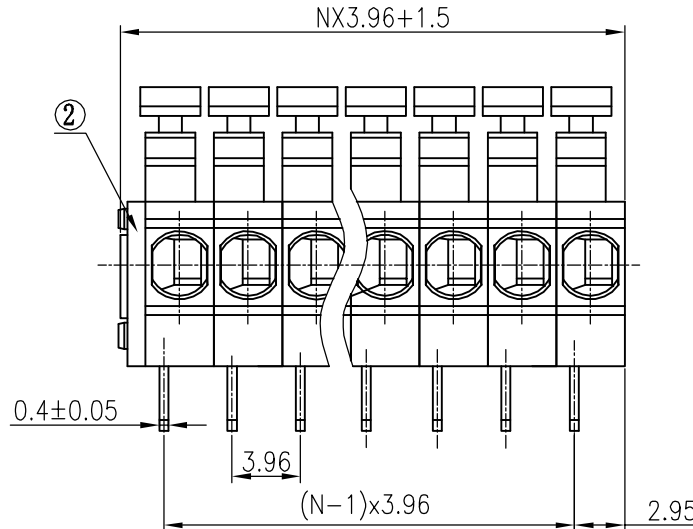
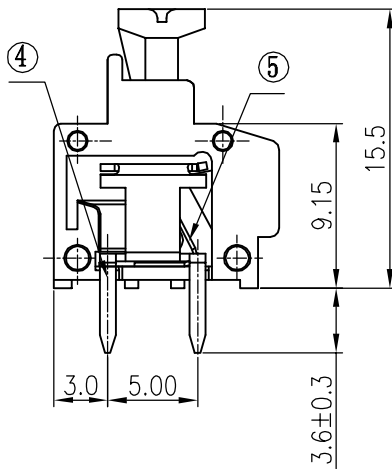
REVISION RECORD				
REV	ECO	DESCRIPTION	DRFT	DATE
△		图面更新	HW	04/11/06*
△		3007COY01A→3008COY01A	WF	11/28/06*
△		品名、料号增加环保标示“(H)”	LJH	12/08/07*
△		工程变更：去掉电压、电流标示	WLM	08/11/08*



Notes:

1. Pitch: 3.96mm , Poles: XXP
2. Rated voltage/current: UL 300V/5A
VDE 250V/10A
3. Operation temperatures: -40°C~+105°C
4. Withstanding Voltage: AC2000V/1Min
5. Insulation Resistance: 5000MΩ/DC1000V
6. Wire Range: 20~18AWG, 1.5mm²
7. Undimensioned Tolerances:

Pitch range in mm		Nominal dimension range in mm							
to	over	to	to	to	to	to			
6	6	10	10	30	60	100	150	∩	
6	10	24	30	60	100	150		∇	
	±0.10	±0.15	±0.25	±0.2	±0.3	±0.5	±0.7	±1.0	0.05/10



5	DG235-3.81-Clamp	X00000390 (H)	XX	Stainless Steel	
4	DG235-3.81-Pin header	3007B00010 (H)	XX	Phosphor Bronze	SnCe plated
3	DG235 Button	3007D0Y01A (H)	XX	PA66	UL94V-0
2	DG235 Cover	3008COY01A (H)	1	PA66	UL94V-0

ITEM	NAME OF PART	NO. OF PART	Q'TY	MATERIAL	NOTES
1	DG235-3.96 Housing	3009A0Y01A (H)	XX	PA66	UL94V-0

TOLERANCES EXCEPT AS NOTED		DFTO Zhwmm		DATE 08/02/'04	
MM		CHKD	DATE	MFO	DATE
.0 ±	±				
.00 ±	±				
.000 ±	±				
MATERIAL :		APPVL		DATE	

 THIRD ANGLE PROJECTION		ANGLES ± 1°		FINISH :		G.E :		SCALE : 1:1		DO NOT SCALE DRAWING	
----------------------------	--	-------------	--	----------	--	-------	--	-------------	--	----------------------	--

宁波高正电子有限公司 DEGSON ELECTRONICS CO., LTD			
NAME			
DG235-3.96-XXP-1Y-00A(H)			
DRAWING NO. DG235-3.96-E01		SIZE	REV
/PART NO.		A3	T4
		08/11/08*	
SHEET 1		OF 1	