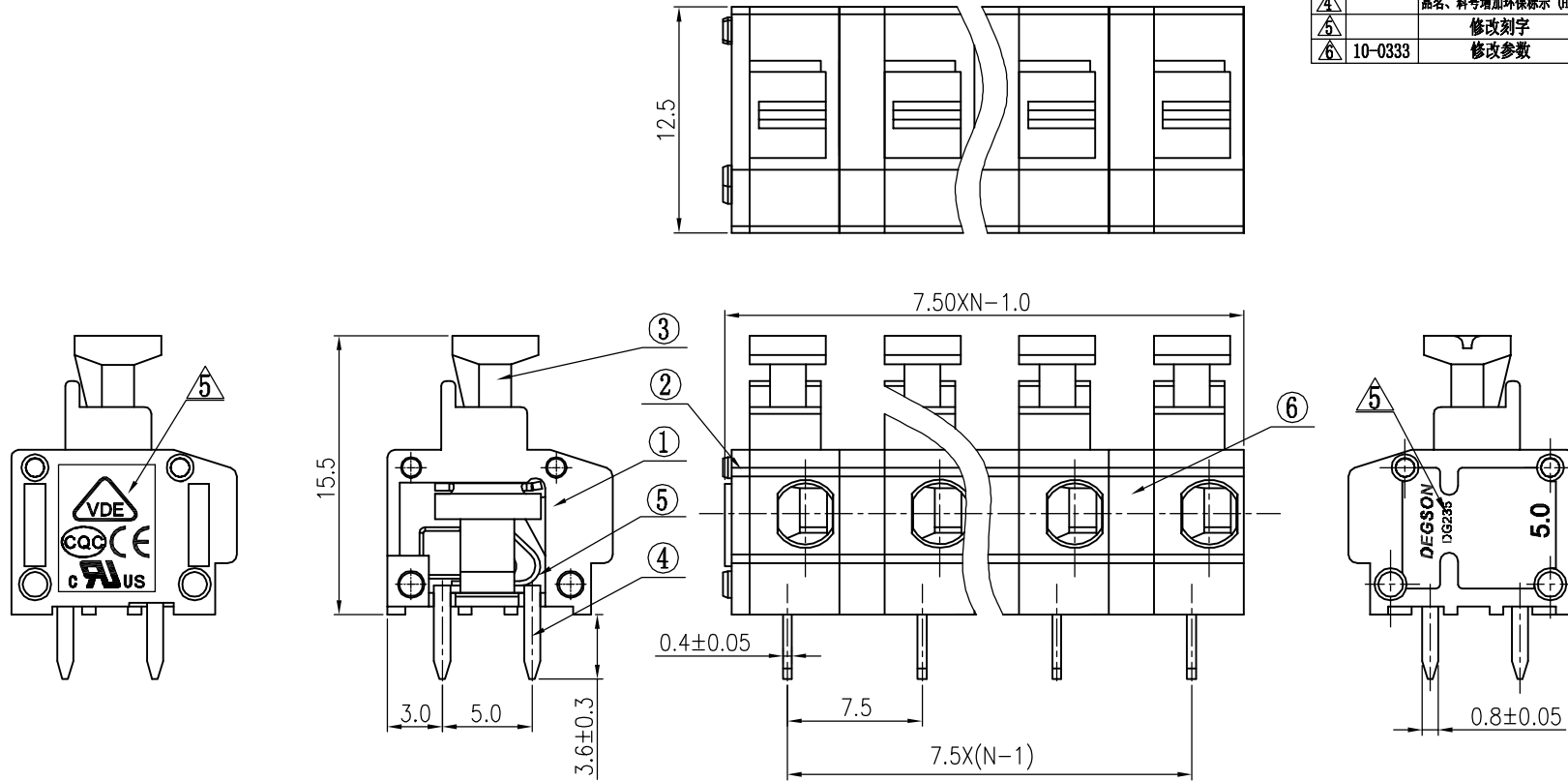


| REVISION RECORD | | | | |
|-----------------|---------|------------------|------|----------|
| REV | ECN | DESCRIPTION | DRFT | DATE |
| △ | | 图面更新 | HW | 04/11/06 |
| △ | | 图面更新 | WF | 01/31/07 |
| △ | | 品名、料号增加环保标示“(H)” | LJH | 12/08/07 |
| △ | | 修改刻字 | LJH | 10/30/08 |
| △ | 10-0333 | 修改参数 | ZXX | 10/04/10 |



Notes:

1. Pitch: 7.5mm, Poles: 2-XXP
2. Rated voltage/current: UL 300V/5A
VDE 450V/15A
3. Operation temperatures: -40°C ~ +105°C
4. Withstanding Voltage: AC2000V/1min
5. Insulation Resistance: 5000MΩ / DC1000V
6. Wire Range: 20~18AWG, 0.2~1.5mm² (str)
0.2~2.5mm² (sol)
7. Undimensioned Tolerances:

| Pitch range in mm | | | Nominal dimension range in mm | | | | | | | |
|-------------------|-------|-------|-------------------------------|------|------|------|------|----------|---|--|
| to | over | over | to | over | over | over | over | over | | |
| 6 | 6 | 10 | 30 | 30 | 60 | 100 | 150 | 150 | ∩ | |
| to | to | to | to | to | to | to | to | to | □ | |
| 6 | 10 | 24 | 30 | 60 | 100 | 150 | 150 | 150 | | |
| ±0.10 | ±0.15 | ±0.25 | ±0.2 | ±0.3 | ±0.5 | ±0.7 | ±1.0 | ±0.05/10 | | |

| ITEM | NAME OF PART | NO. OF PART | Q'TY | MATERIAL | NOTES |
|------|----------------------|----------------|------|-----------------|---------|
| 6 | DG235-Calpboard | 3008H0Y01A (H) | XX-1 | PA66 | UL94V-0 |
| 5 | DG235-5.0-Spring | X000000140 (H) | XX | Stainless Steel | |
| 4 | DG235-5.0-Pin header | 3008B00010 (H) | XX | Phosphor Bronze | SnCe |
| 3 | DG235-5.0 Button | 3008D0Y01A (H) | XX | PA66 | UL94V-0 |
| 2 | DG235-5.0 Cover | 3008C0Y01A (H) | 1 | PA66 | UL94V-0 |
| 1 | DG235-5.0 Housing | 3008A0Y01A (H) | XX | PA66 | UL94V-0 |

| DETAILED LIST | | DFTO Haoyh | | DATE 07/16/05 | |
|----------------------------|-------------|------------|--|---------------|--|
| MM (INCH) | CHKD | DATE | | | |
| TOLERANCES EXCEPT AS NOTED | MFO | DATE | | | |
| MM | APPVL | DATE | | | |
| .0 ± | | | | | |
| .00 ± | | | | | |
| .000 ± | | | | | |
| ANGLES ± 1° | MATERIAL : | | | | |
| THIRD ANGLE PROJECTION | G.E : | | | | |
| | FINISH : | | | | |
| | SCALE : 1:1 | | | | |

| | | | |
|---------------------------|--|-----------------------------|------|
| NAME | | DEGSON ELECTRONICS CO., LTD | |
| NAME | | | |
| DG235-7.5-XXP-1Y-00A(H) | | | |
| DRAWING NO. DG235-7.5-E01 | | SIZE | REV |
| /PART NO. | | A3 | T6 |
| | | 10/04/10 | |
| DO NOT SCALE DRAWING | | SHEET 1 | OF 1 |