

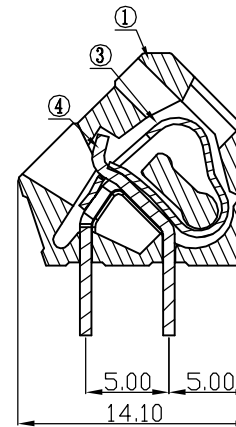
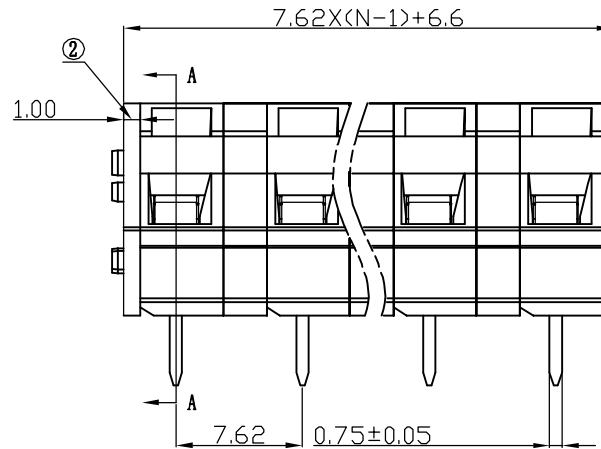
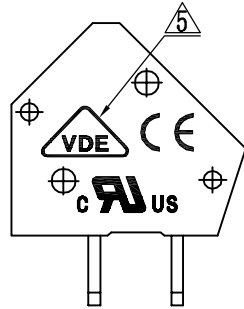
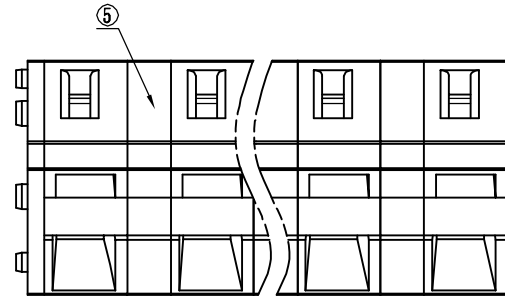
REVISION RECORD				
REV	ECD	DESCRIPTION	DRFT	DATE
△		图面更新	WF	01/31/07
△		增加UL刻字	CSX	07/21/07
△		品名、料号增加环保标示“(H)”	LJH	12/08/07
△		修改参数	Zengy	12/20/08
△	10-0080	增加“VDE”刻字	Jinbai, Lan	04/16/10

Notes:

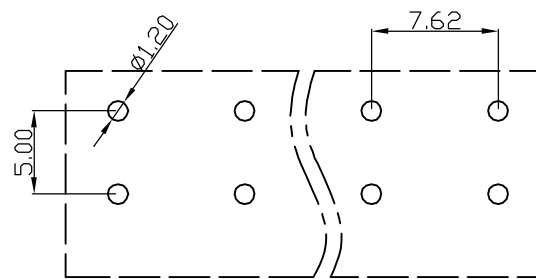
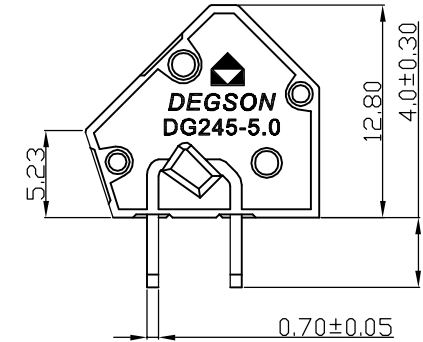
1. Pitch: 7.62mm, Poles: XXP
2. Rated voltage/current: UL 300V/15A  
IEC 250V/16A
3. Operation temperatures: -40°C ~ +105°C
4. Withstanding Voltage: AC2000V/1Min
5. Insulation Resistance: 5000MΩ/DC1000V
6. Wire Range: 28~12AWG, 2.5mm<sup>2</sup>
7. Undimensioned Tolerances:



Pitch range in mm		Nominal dimension range in mm				
to 6	over 6 to 10	over 10 to 24	over 30 to 60	over 60 to 100	over 100 to 150	
±0.10	±0.15	±0.25	±0.2	±0.3	±0.5	±0.7
						±1.0
						0.005/√L



SECTION A-A



TOP VIEW-LAYOUT

ITEM	NAME OF PART	NO. OF PART	Q'TY	MATERIAL	NOTES
5	DG245-7.62-Clapboard	3033H0Y01A (H)	XX-1	PA66	UL94V-0
4	DG245 Pin header	3025B00010 (H)	XX	Phosphor bronze	SnCe
3	DG242 Spring	X000000990 (H)	XX	Stainless steel	
2	DG245-5.0-COVER	3025C0Y01A (H)	1	PA66	UL94V-0
1	DG245-5.0-HOUSING	3025A0Y01A (H)	XX	PA66	UL94V-0

TOLERANCES EXCEPT AS NOTED		DATE 12/13/06		DEGSON® 宁波高正电子有限公司 DEGSON ELECTRONICS CO., LTD	
MM	±	DRFT	DATE	NAME	
.0 ±	±	CHKD	DATE	DG245-7.62-XXP-1Y-00A(H)	
.00 ±	±	MFD	DATE	DRAWING NO. DG245-7.62-E01	
.000 ±	±	APPVL	DATE	/PART NO.	
MATERIAL :		FINISH:		SIZE A3	
ANGLES ± 1°		G.E :		REV T5	
THIRD ANGLE PROJECTION		SCALE :		04/16/10	
DO NOT SCALE DRAWING			SHEET 1 OF 1		