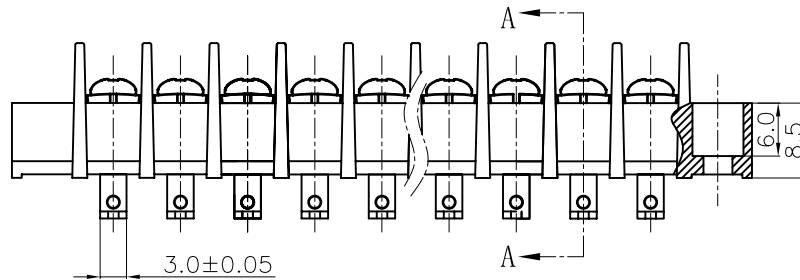
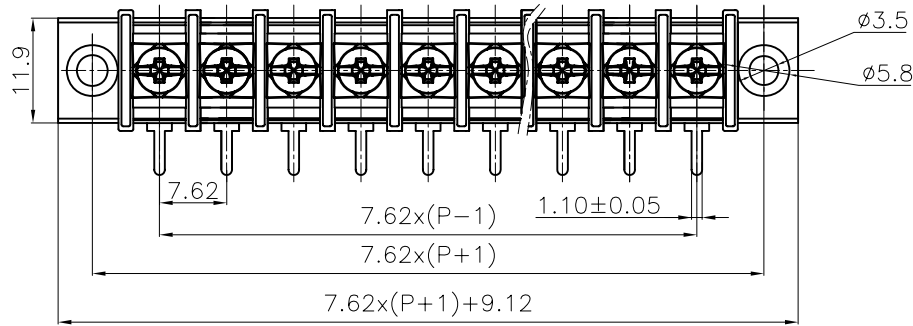


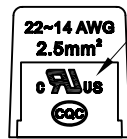
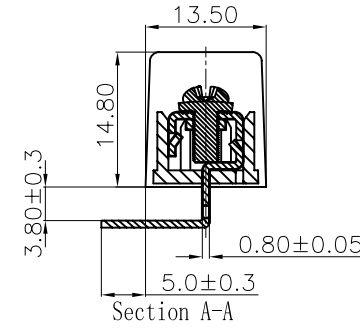
REVISION RECORD					
REV	ECO	DESCRIPTION	DRFT	DATE	
△1		图面更新	CSX	07/20/06	
△2		增加UL刻字	YeJ	11/06/06	



NOTES:

1. Pitch: 7.62mm , Poles: 2-24P
2. Rated current: 10A
3. Rated voltage: 300V
4. Operation temperatures: -40° C ~ +105° C
5. Insulation Withstand Voltage: AC2000V/1Min
6. Insulation Resistance: 500MΩ / DC500V
7. Wire Range: 22~14AWG
8. Max. Torque Value: 5.10Kgf. cm
9. Undimensioned Tolerances:

Pitch range in mm		Nominal dimension range in mm						
to 6	over 6 to 10	over 10 to 24	to 6	over 6 to 30	over 30 to 90	over 90 to 200	over 200 to 480	—
±0.10	±0.15	±0.25	±0.1	±0.2	±0.3	±0.5	±0.7	0.05/10



3	3*6 Bright-Screws	S000000450 (H)	XX	Steel	Ni plated
2	DG25R-Pin header	5001B00060 (H)	XX	Brass	SnCe

1	DG25R-A Housing	5001MOYXXA (H)	1	PA66	UL94V-0
ITEM	NAME OF PART	NO. OF PART	Q"TY	MATERIAL	NOTES
DETACHED LISTS	MM (INCH)	DFTO Home	DATE 03/28/06*	宁波高正电子有限公司 DEGSON ELECTRONICS CO., LTD NAME DG25R-A-XXP-1Y-00A(H) DRAWING NO. DG25R-E07 /PART NO. FINISH : SCALE : 1:1 DO NOT SCALE DRAWING	
	TOLERANCES EXCEPT AS NOTED		CHKD DATE		
			MFO DATE		
			APPLV DATE		
			MATERIAL :		
ANGLES ± 1°		G.E :		SIZE A3	REV T2 11/06/06*
THIRD ANGLE PROJECTION				SHEET 1 OF 1	