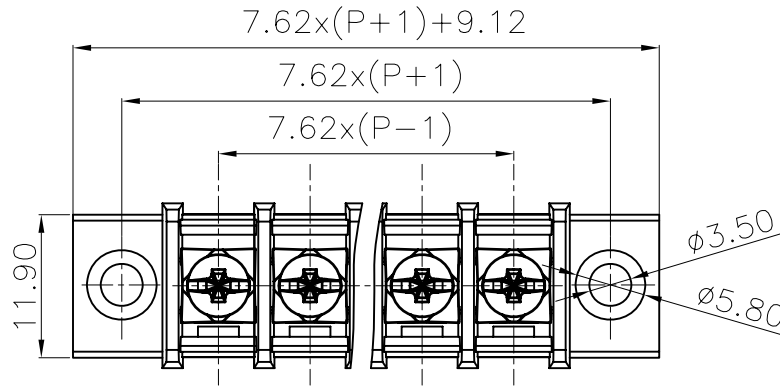


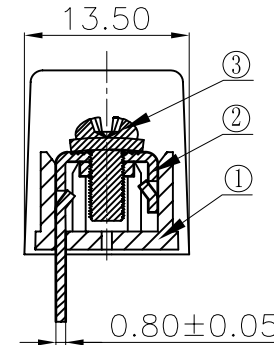
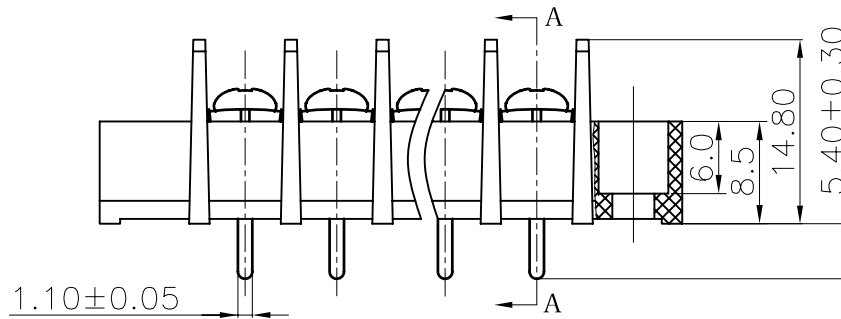
REVISION RECORD				
REV	ECO	DESCRIPTION	DRFT	DATE
△		图面更新	C SX	07/20/06
△		增加UL刻字	Ye j	11/06/06



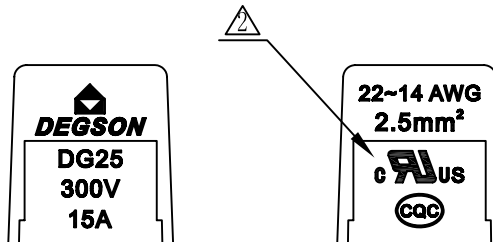
NOTES:

1. Pitch: 7.62mm
2. Rated current: 15A
3. Rated voltage: 300V
4. Operation temperatures: -40° C ~ +105° C
5. Insulation Withstand Voltage: AC2000V/1Min
6. Insulation Resistance: 500MΩ / DC500V
7. Wire Range: 22~14AWG
8. Max. Torque: 5.10kgf. cm
9. Undimensioned Tolerances:

Pitch range in mm		Nominal dimension range in mm				
over 6 to 6	over 10 to 10	over 6 to 6	over 30 to 30	over 90 to 90	over 200 to 200	—
±0.10	±0.15	±0.25	±0.1	±0.2	±0.3	±0.5
						±0.7/0.5/0



Section A-A



3	3*6 bright-Screw	S000000450 (H)	XX	Steel	Ni Plated
2	DG25S-Pin Header	5001B00090 (H)	XX	Brass	SnCe

1	DG25S Housing	5001MOYXXA (H)	1	PA66	UL94V-0
ITEM	NAME OF PART	NO. OF PART	Q"TY	MATERIAL	NOTES
TOLERANCES EXCEPT AS NOTED		DFTO Home	DATE 03/20/06*	宁波高正电子有限公司 DEGSON ELECTRONICS CO., LTD	
MM (INCH)		CHKD	DATE		
.0 ±		MFO	DATE		
.00 ±		APPVL	DATE		
.000 ±		MATERIAL :		NAME DG25S-A-XXP-1Y-00A(H)	
ANGLES ± 1°		G.E :		DRAWING NO. DG25S-E03	
THIRD ANGLE PROJECTION		FINISH :		/PART NO.	
SCALE : 1:1			DO NOT SCALE DRAWING		SHEET 1 OF 1