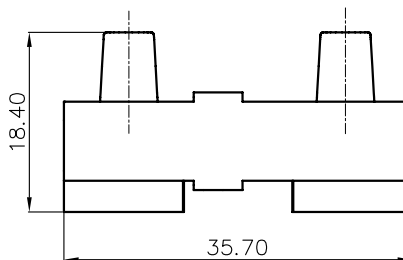
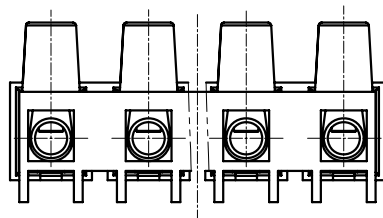
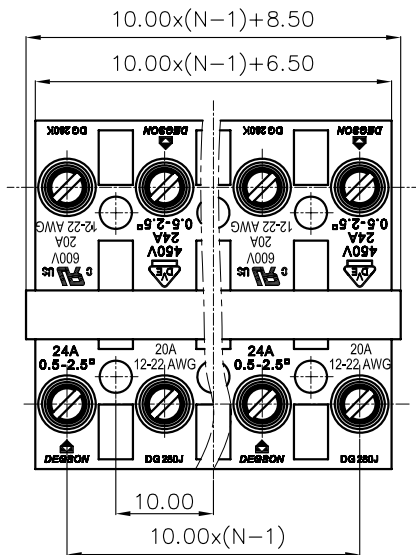


REVISION RECORD

REV	ECN	DESCRIPTION	DRFT	DATE
-----	-----	-------------	------	------



NOTES1:

- UL Standard  
 1. Rated Voltage/Current : 600V / 20A  
 2. Torque Value : M3 , 4.43Lb.in  
 3. Wire Range : 22~12AWG

IEC Standard

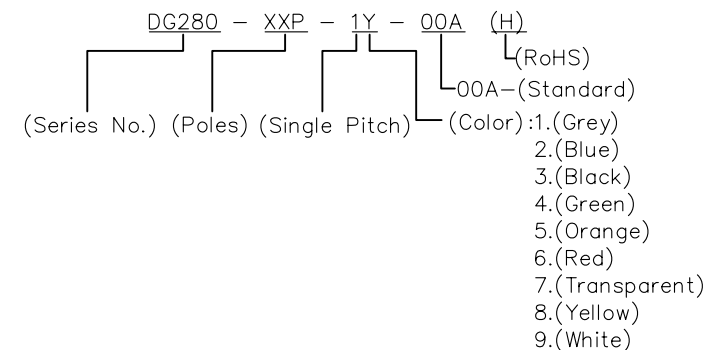
1. Rated Voltage/Current : 450V / 24A  
 2. Torque Value : M3 , 0.5N·m  
 3. Wire Range : 0.5~2.5mm<sup>2</sup>

NOTES2:

1. Dimension shall be interpreted per ASME Y14.5-2009  
 2. Pitch : 10.00mm, Poles : N=02~04P  
 3. Stripping length : 7~8mm  
 4. Withstanding Voltage : AC2500V/1Min.  
 5. Operating temperature : -40°C~+105°C  
 6. Undimensioned Tolerances:

Pitch range in mm		Nominal dimension range in mm				Tolerances		
TO	6 TO 10	Over 10 TO 24	Over 30 TO 60	Over 60 TO 100	Over 100 TO 150	0.1/10	∠	
±0.15	±0.20	±0.30	±0.30	±0.50	±0.70	±1.00	±1.30	±2°

7. RoHS Compliance



DETACHED LISTS	PART NO.:	宁波高松电子有限公司 NINGBO DEGSON ELECTRICAL CO., LTD		
	APPD:	NAME: DG280-XXP-1Y-00A(H)		
	CHKD:	TITLE: CUSTOMER DRAWING		
	DRFT:	DRAWING NO.: DG280-601		REV: /
THIRD ANGLE PROJECTION		DRAWING NO.: DG280-601 MM (INCH)	SHEET: 1/1	SCALE: 1:1