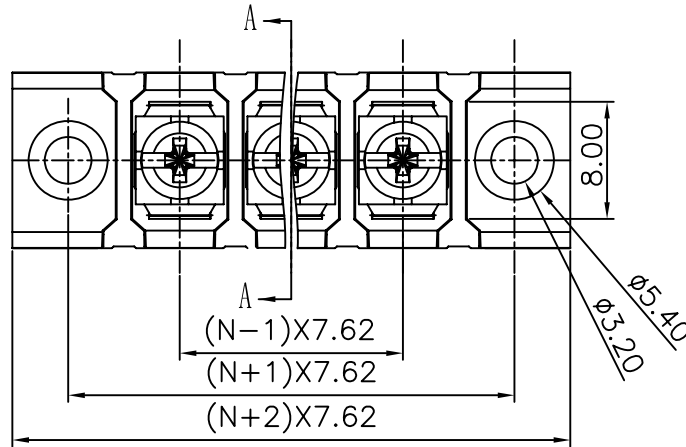
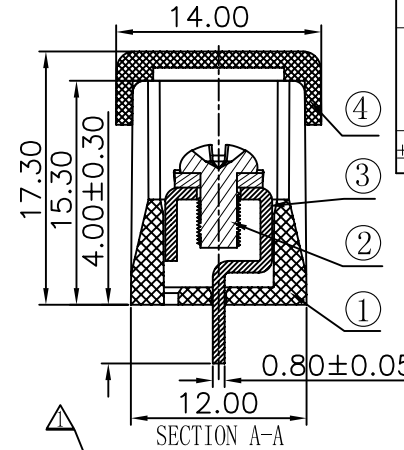
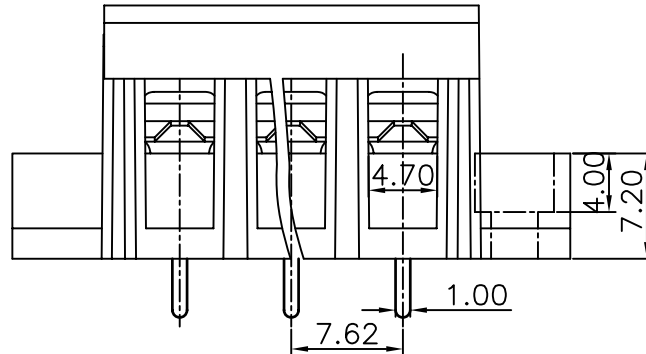


REVISION RECORD					
REV	ECO	DESCRIPTION	DRFT	DATE	
1		增加UL刻字	CSX	03/21/07	
2		品名、料号增加环保标识“(H)”	YeJ	12/08/07	

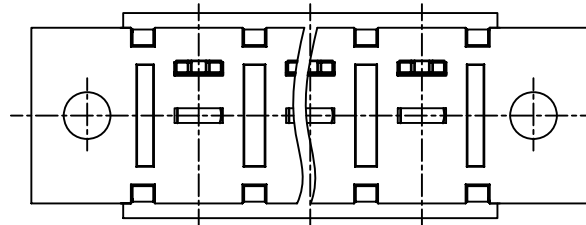
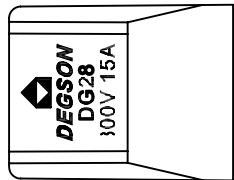


Notes:

1. Pitch:7.62mm ,Poles:2-24P
2. Rated current:15A
3. Rated voltage:300V
4. Operation temperatures:-40° C~+105° C
5. Insulation Withstand Voltage:AC2000V/Min
6. Insulation Resistance:500MΩ /DC500V
7. Wire Range:22~14AWG
8. Max. Torque Value:5.1kgf.cm
9. Undimensioned Tolerances:



Pitch range in mm			Nominal dimension range in mm					
to	over	to	to	over	over	over		
6	6	10	30	60	100	150	∩	
6	10	24	30	60	100	150	□	
	±0.10	±0.15	±0.25	±0.2	±0.3	±0.5	±0.7	±1.0
								0.05/10



4	DG28-Cover	5006C07XXA(H)	1	PC	
3	DG28C Pin header	5006B00010(H)	XX	Brass	SnCe plated
2	M3*6(6*6)bright Screws	S000000450(H)	XX	Steel	Ni plated

1	DG28-A-本体	5006M0YXXA(H)	1	PA66+23%GF	UL94V-0
ITEM	NAME OF PART	NO. OF PART	Q'TY	MATERIAL	NOTES
DETACHED LISTS	MM (INCH)	DFTO Zhuwm	DATE 03/13/06	宁波高正电子有限公司 DEGSON ELECTRONICS CO., LTD NAME DG28C-A-XXP-1Y-00A(H)	
	TOLERANCES EXCEPT AS NOTED	CHKD	DATE		
		MFO	DATE		
		APPVL	DATE		
	MM	±	MATERIAL :		
	.00 ±	±	G.E :		
	.000 ±	±	FINISH :		
	ANGLES ± 1°	SCALE : 1:1			
	THIRD ANGLE PROJECTION	DO NOT SCALE DRAWING			
				DRAWING NO. DG28C-E01	SIZE A3
				/PART NO.	REV T2 12/08/07
				SHEET 1	OF 1