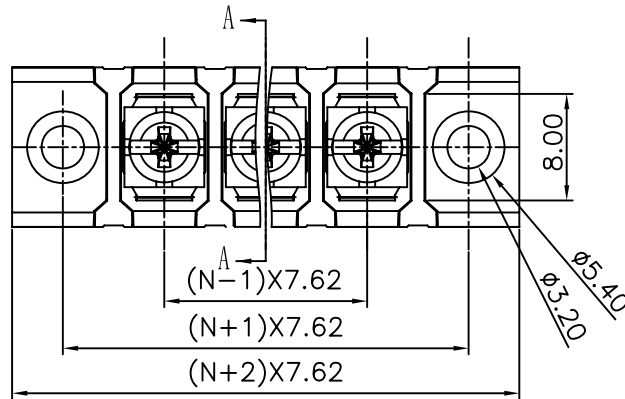
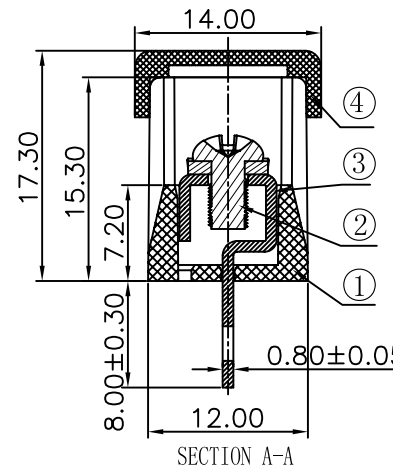
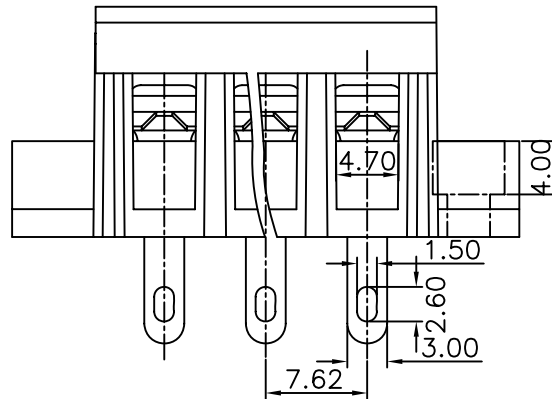


REVISION RECORD					
REV	ECO	DESCRIPTION	DRFT	DATE	
△		增加UL刻字	CSX	03/21/07	
△		品名、料号增加环保标识“00”	YeJ	12/08/07	

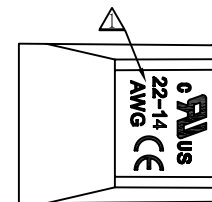
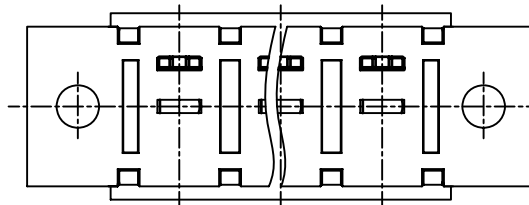
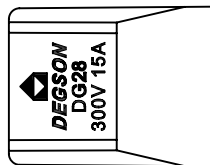


Notes:

1. Pitch:7.62mm ,Poles:2-24P
2. Rated current:15A
3. Rated voltage:300V
4. Operation temperatures:-40° C~+105° C
5. Insulation Withstand Voltage:AC2000V/Min
6. Insulation Resistance:500MΩ/DC500V
7. Wire Range:22~14AWG
8. Max. Torque Value:5.1kgf.cm
9. Undimensioned Tolerances:



Pitch range in mm		Nominal dimension range in mm								
to	over	to	over	to	over	to	over			
6	6 to 10	10	10 to 24	30	30 to 60	60	60 to 100	100	100 to 150	∩
	±0.10	±0.15	±0.25	±0.2	±0.3	±0.5	±0.7	±1.0	0.05/0.10	□



4	DG28-Cover	5006C07XXA (H)	1	PC	
3	DG28H Pin header	5006B00050 (H)	XX	Brass	SnCe plated
2	M3*6 (6*6) bright Screws	S000000450 (H)	XX	Steel	Ni plated

1	DG28-A-本体	5006MOYXXA (H)	1	PA66+23%GF	UL94V-0
ITEM	NAME OF PART	NO. OF PART	Q'TY	MATERIAL	NOTES
DETACHED LISTS	MM (INCH)	DFTO Zhuwm	DATE 03/13/06	宁波高正电子有限公司 DEGSON ELECTRONICS CO., LTD NAME DG28H-A-XXP-1Y-00A (H)	
	TOLERANCES EXCEPT AS NOTED	CHKD	DATE		
		MFO	DATE		
		APPVL	DATE		
		MATERIAL :			
	ANGLES ± 1°	G.E :		DRAWING NO. DG28H-E01	SIZE A3
	THIRD ANGLE PROJECTION	FINISH :		/PART NO.	REV T2 12/08/07
		SCALE : 1:1		DO NOT SCALE DRAWING	SHEET 1 OF 1