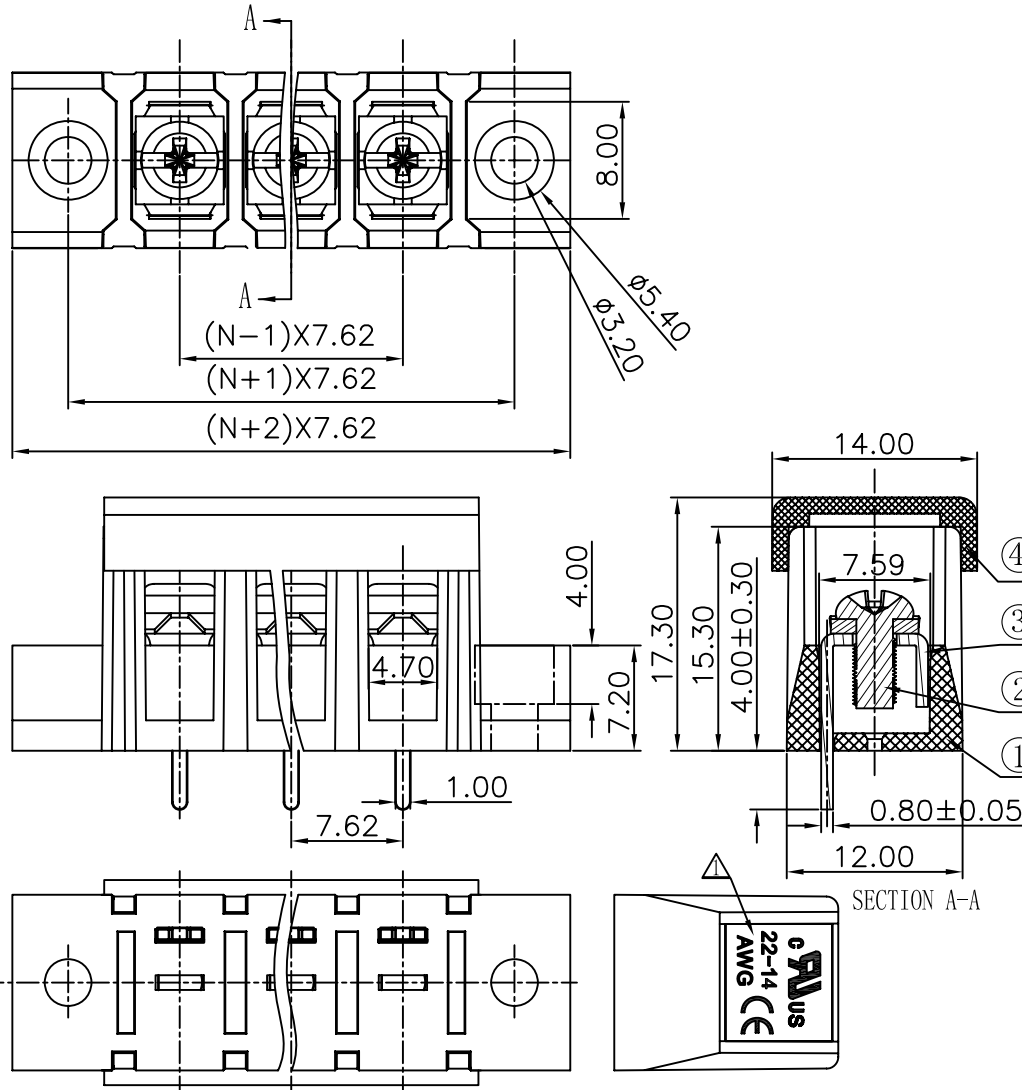


REVISION RECORD				
REV	ECO	DESCRIPTION	DRFT	DATE
△		增加UL刻字	CSX	03/21/07
△		品名、料号增加环保标识“(H)”	YeJ	12/08/07



Notes:

1. Pitch: 7.62mm , Poles: 2-24P
2. Rated current: 15A
3. Rated voltage: 300V
4. Operation temperatures: $-40^{\circ}C \sim +105^{\circ}C$
5. Insulation Withstand Voltage: AC2000V/Min
6. Insulation Resistance: 500M Ω /DC500V
7. Wire Range: 22~14AWG
8. Max. Torque Value: 5.1kgf.cm
9. Undimensioned Tolerances:

Pitch range in mm		Nominal dimension range in mm						
to 6	over 6 to 10	over 10 to 24	over 30 to 60	over 60 to 100	over 100 to 150	over 150	∩	
±0.10	±0.15	±0.25	±0.2	±0.3	±0.5	±0.7	∇	

4	DG28-Cover	5006C07XXA (H)	1	PC	
3	DG28S Pin header	5006B00040 (H)	XX	Brass	SnCe plated
2	M3*6 (6*6) bright Screws	S000000450 (H)	XX	Steel	Ni plated

1	DG28-A-本体	5006MOYXXA (H)	1	PA66+23%GF	UL94V-0																											
ITEM	NAME OF PART	NO. OF PART	Q'TY	MATERIAL	NOTES																											
<table border="1"> <thead> <tr> <th colspan="2">MM (INCH)</th> <th>DFTO Zhuwm</th> <th>DATE 03/13/06</th> </tr> </thead> <tbody> <tr> <td colspan="2">TOLERANCES EXCEPT AS NOTED</td> <td>CHKD</td> <td>DATE</td> </tr> <tr> <td colspan="2"></td> <td>MFO</td> <td>DATE</td> </tr> <tr> <td colspan="2"></td> <td>APPVL</td> <td>DATE</td> </tr> <tr> <td colspan="2"></td> <td colspan="2">MATERIAL :</td> </tr> <tr> <td colspan="2">ANGLES ± 1°</td> <td colspan="2">G.E :</td> </tr> <tr> <td colspan="2">THIRD ANGLE PROJECTION</td> <td colspan="2">FINISH :</td> </tr> </tbody> </table>		MM (INCH)		DFTO Zhuwm	DATE 03/13/06	TOLERANCES EXCEPT AS NOTED		CHKD	DATE			MFO	DATE			APPVL	DATE			MATERIAL :		ANGLES ± 1°		G.E :		THIRD ANGLE PROJECTION		FINISH :		<p>DEGSON® 宁波高正电子有限公司 DEGSON ELECTRONICS CO., LTD</p> <p>NAME DG28S-A-XXP-1Y-00A (H)</p>		
MM (INCH)		DFTO Zhuwm	DATE 03/13/06																													
TOLERANCES EXCEPT AS NOTED		CHKD	DATE																													
		MFO	DATE																													
		APPVL	DATE																													
		MATERIAL :																														
ANGLES ± 1°		G.E :																														
THIRD ANGLE PROJECTION		FINISH :																														
DRAWING NO. DG28S-E01				SIZE A3	REV T2																											
/PART NO.				12/08/07																												
SCALE : 1:1				DO NOT SCALE DRAWING																												
SHEET 1				OF 1																												