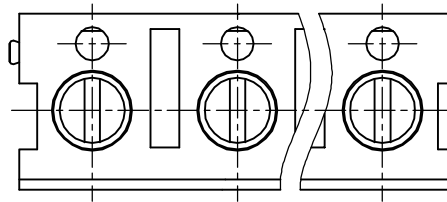
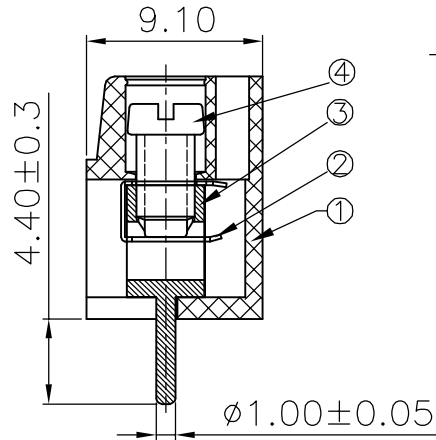


REVISION RECORD				
REV	ECO	DESCRIPTION	DRFT	DATE
△		Drawing Revise	Haoyh	03/16/06
△		增加VDE刻字	Yej	11/29/07
△		更改公差表	LJH	12/24/07

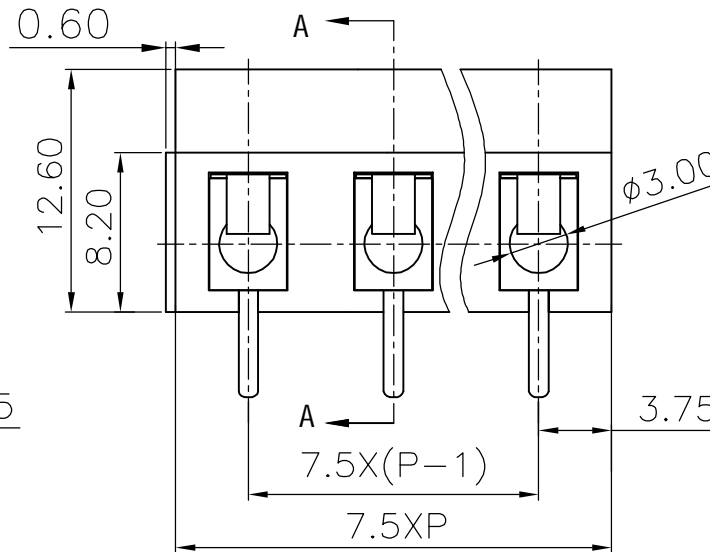


Notes:

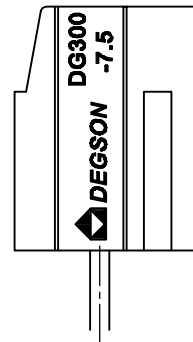
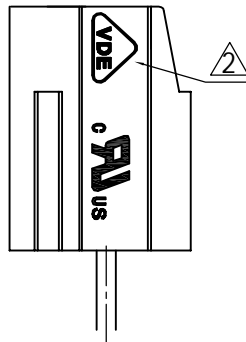
1. Pitch: 7.5mm
2. Rated voltage/current: UL 300V/10A
VDE 250V/24A
3. Operation temperatures: -30°C ~ +120°C
4. Withstanding Voltage: AC2000V/1min
5. Insulation Resistance: 5000MΩ / DC1000V
6. Wire Range: 22~14AWG, 2.5mm²
7. Max. Torque Value: 5.10kgf.cm
8. Undimensioned Tolerances:



SECTION A-A



Pitch range in mm		Nominal dimension range in mm						
	over 6	over 10		over 30	over 60	over 100	over 150	∩
to	to 10	to 24	to 30	to 60	to 100	to 150		∇
	±0.10	±0.15	±0.25	±0.2	±0.3	±0.5	±0.7	±1.0
								0.05/10



4	DG300 Screws	S000001380(H)	XX	Steel	Cr ³⁺ Zn
3	DG300(A) Pin header	4001B00010(H)	XX	Brass	SnCe
2	DG300 Spring	X000000230(H)	XX	Stainless steel	
1	DG300-7.5-Housing	4001A0YXXA(H)	1	PBT	UL94V-0
ITEM	NAME OF PART	NO. OF PART	Q'TY	MATERIAL	NOTES

MM (INCH)		DFTO Zhuwm DATE 03/26/04		宁波高正电子有限公司 DEGSON ELECTRONICS CO., LTD	
TOLERANCES EXCEPT AS NOTED		CHKD	DATE		
		MFO	DATE		
		APPVL	DATE		
MM		MATERIAL :		NAME	
.0 ±	±			DG300-7.5-XXP-1Y-00A(H)	
.00 ±	±	G.E:		DRAWING NO. DG300-7.5-E02	
.000 ±	±	FINISH :		/PART NO.	
ANGLES ± 1°		SCALE : 1:1		SIZE A3	
THIRD ANGLE PROJECTION		DO NOT SCALE DRAWING		REV T3	
		SHEET 1 OF 1		12/24/07	