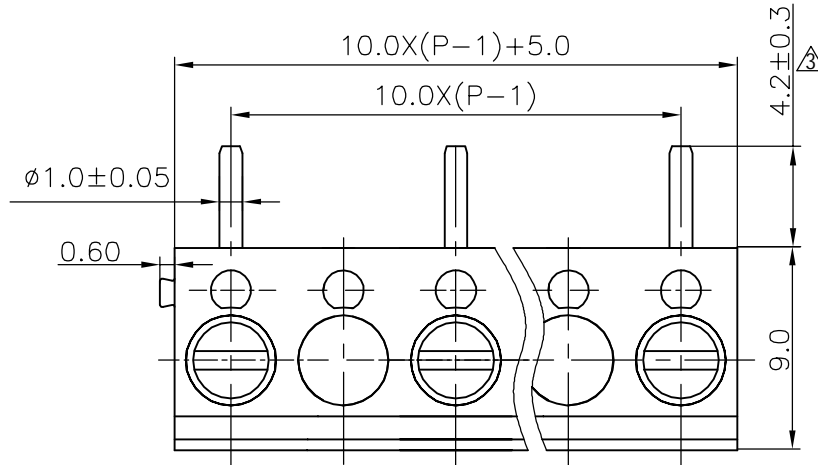


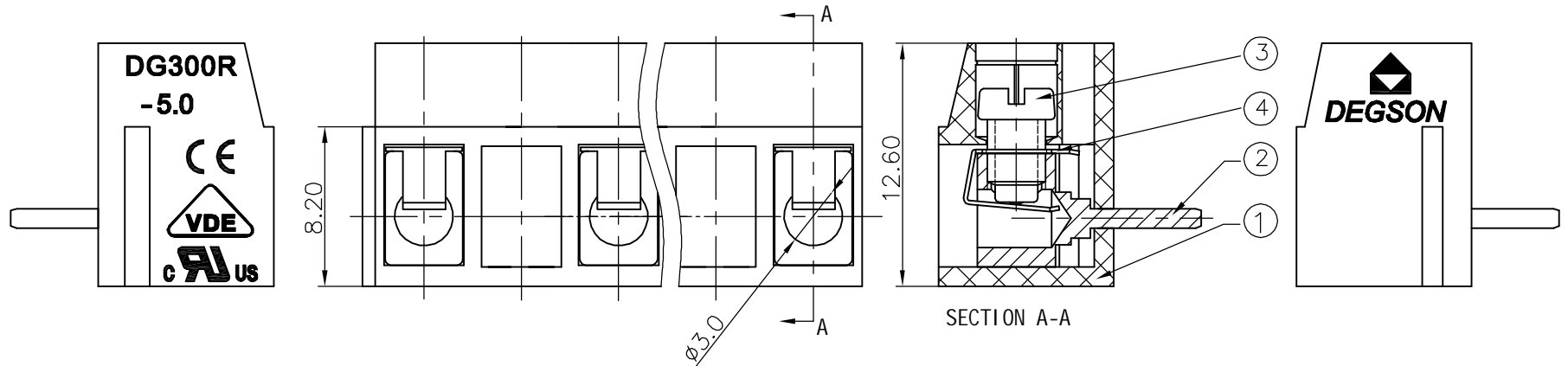
REVISION RECORD				
REV	ECO	DESCRIPTION	DRFT	DATE
△		Drawing Revise	Haoyh	03/16/06
△		修改刻字	CSX	05/08/06
△		修改出脚尺寸	CSX	07/03/07
△		品名、料号增加环保标示“(H)”	CSX	12/10/07



Notes:

1. Pitch: 10.0mm
2. Rated volatge/current: UL 300V/10A
VDE 250V/24A
3. Operation temperatures: -30°C ~ +120°C
4. Withstanding Voltage: AC2000V/1min
5. Insulation Resistance: 5000MΩ/DC1000V
6. Wire Range: 22~14AWG, 2.5mm²
7. Max. Torque Value: 5.10kgf.cm
8. Undimensioned Tolerances:

Pitch range in mm		Nominal dimension range in mm						—	
to	over	to	over	to	over	to	over	—	
6	6	10	10	30	60	100	150	∩	
	to	to	to	to	to	to		∇	
	10	24	30	60	100	150			
	±0.10	±0.15	±0.25	±0.2	±0.3	±0.5	±0.7	±1.0	0.05/10



4	DG300-Spring	X000000230(H)	XX	Stainless steel	
3	DG300-Screws	S000001380(H)	XX	Steel	Cr ³⁺ Zn
2	DG300R-Pin header	4002B00010(H)	XX	Brass	SnCe

ITEM	NAME OF PART	NO. OF PART	Q'TY	MATERIAL	NOTES
1	DG300R-5.0-Housing	4002A0Y(2XX-1)A(H)	1	PBT	UL94V-0

MM (INCH)	DFTO huangwei	DATE 02/17/05
TOLERANCES EXCEPT AS NOTED	CHKD	DATE
	MFO	DATE
	APPVL	DATE
MM	MATERIAL :	
.0 ±		
.00 ±		
.000 ±		
ANGLES ± 1°	G.E. :	
THIRD ANGLE PROJECTION	FINISH :	
	SCALE : 1:1	

DEGSON [®]		宁波高正电子有限公司 DEGSON ELECTRONICS CO., LTD	
NAME DG300R-5.0-XXP-2Y-00A(H)			
DRAWING NO. DG300R-5.0-E07			SIZE A3
/PART NO.			REV T4 12/10/07
DO NOT SCALE DRAWING			SHEET 1 OF 1