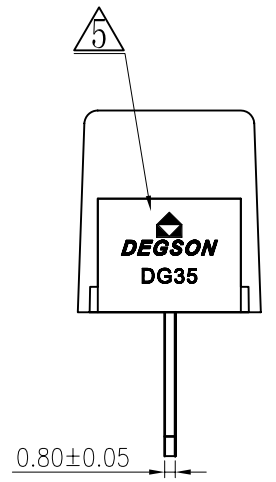
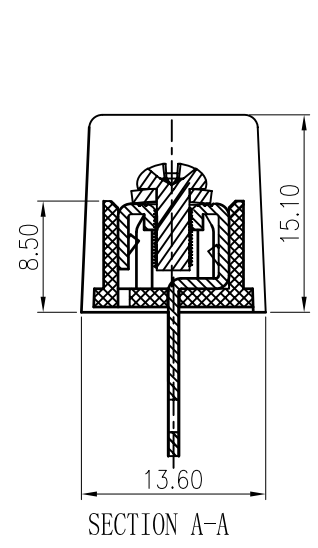
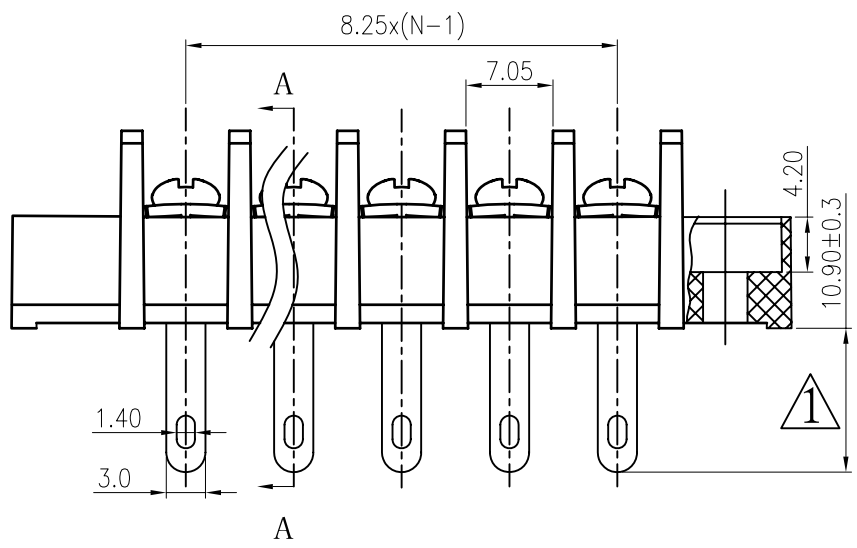
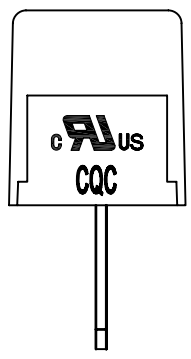
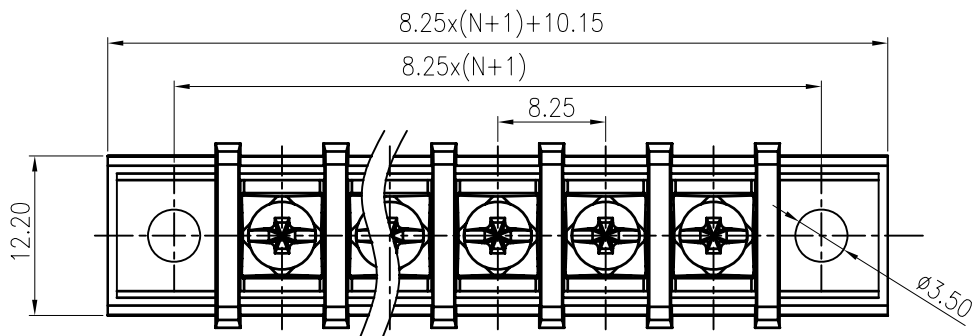


REVISION RECORD					
REV	ECO	DESCRIPTION	DRFT	DATE	
△		10.20±0.10---10.9±0.30	CSX	05/14/05	
△		图面更新	CSX	12/26/05	
△		增加UL刻字	CSX	06/05/06	
△		品名、料号增加环保标识“00”	YeJ	12/08/07	
△		工程变更, 商标品名改到侧面	LJH	09/03/08	



- NOTES:
- Pitch: 8.25mm, Poles: 2P-24P
 - Rated voltage/current: UL1059 300V/20A
IEC 450V/32A
 - Operation temperature: -40° C ~ +105° C
 - Withstanding Voltage: AC2000V/1Min
 - Insulation Resistance: 500MΩ/DC500V
 - Wire Range: 22-12AWG; 4mm²
 - Max. Torque Value: M3, 5.10Kgf.cm
 - Undimensioned Tolerances:

Pitch range in mm			Nominal dimension range in mm					
to	over	over	to	over	over	over		
6	10	10	30	60	100	150	□	
±0.10	±0.15	±0.25	±0.2	±0.3	±0.5	±0.7	±1.0 ^{0.05/10}	

3	3*6 bright-Screw	S000000450 (H)	XX	Steel	Ni Plated
2	DG25H-Pin Header	5001B00030 (H)	XX	Brass	SnCe
1	DG35H-A-Housing	5002M0YXXA (H)	1	PA66	UL94V-0
ITEM	NAME OF PART	NO. OF PART	Q"TY	MATERIAL	NOTES

DETACHED LISTS	MM (INCH)	DFTO CSX	DATE 05/13/05	宁波高正电子有限公司 DEGSON ELECTRONICS CO., LTD	
	TOLERANCES EXCEPT AS NOTED	CHKD	DATE		
		MFO	DATE		
		APPVL	DATE		
	MM	±		NAME DG35H-A-XXP-1Y-00A(H)	
.00 ±	±				
.000 ±	±				
	ANGLES ± 1°	G.E :		DRAWING NO. DG35H-E03 /PART NO.	
	THIRD ANGLE PROJECTION	FINISH :			
		SCALE : 1:1		SIZE A3	REV T5 09/03/08
				DO NOT SCALE DRAWING	SHEET 1 OF 1