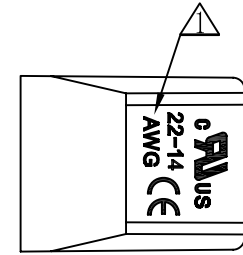
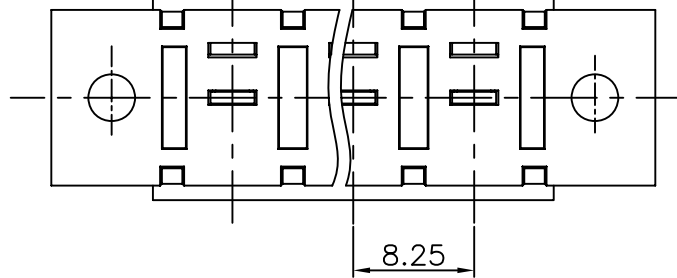
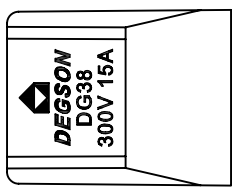
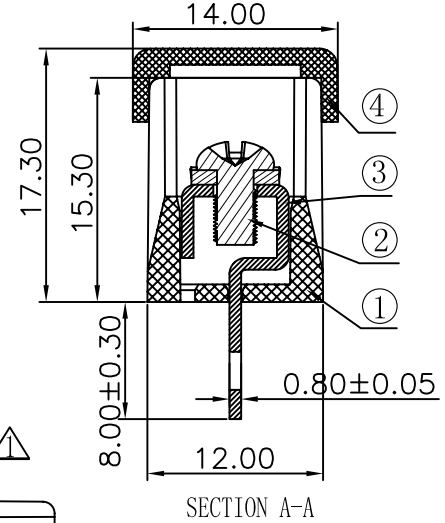
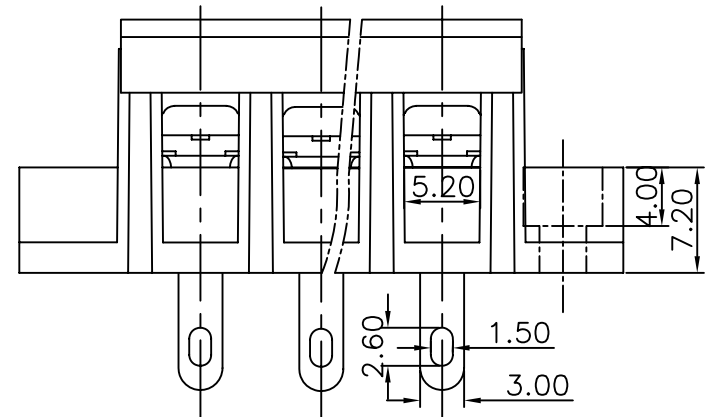


- Notes:
1. Pitch:8.25mm ,Poles:2-24P
 2. Rated current:15A
 3. Rated voltage:300V
 4. Operation temperatures:-40° C~+105° C
 5. Insulation Withstand Voltage:AC2000V/Min
 6. Insulation Resistance:500MΩ/DC500V
 7. Wire Range:22~14AWG
 8. Max. Torque Value:5.1kgf.cm
 9. Undimensioned Tolerances:

REVISION RECORD				
REV	ECO	DESCRIPTION	DRFT	DATE
1		增加UL刻字	CSX	03/13/07
2		品名、料号增加环保标识“00”	YeJ	12/08/07

Pitch range in mm		Nominal dimension range in mm						
to	over	to	over	to	over	to	to	
6	6 to 10	10 to 24	30 to 60	60 to 100	100 to 150	150 to	0.05/1.0	
	±0.10	±0.15	±0.25	±0.2	±0.3	±0.5	±0.7	
							±1.0	



4	DG38-Cover	5050C07XXA (H)	1	PC	
3	DG28H Pin header	5006B00050 (H)	XX	Brass	SnCe plated
2	M3*6 (6*6) bright Screws	S000000450 (H)	XX	Steel	Ni plated

1	DG38-A housing	5050M0YXXA (H)	1	PA66+23%GF	UL94V-0														
ITEM	NAME OF PART	NO. OF PART	Q'TY	MATERIAL	NOTES														
<table border="1"> <thead> <tr> <th>MM (INCH)</th> <th>TOLERANCES EXCEPT AS NOTED</th> </tr> </thead> <tbody> <tr> <td>.0 ±</td> <td>±</td> </tr> <tr> <td>.00 ±</td> <td>±</td> </tr> <tr> <td>.000 ±</td> <td>±</td> </tr> </tbody> </table>		MM (INCH)	TOLERANCES EXCEPT AS NOTED	.0 ±	±	.00 ±	±	.000 ±	±	<table border="1"> <thead> <tr> <th>DATE</th> <th>DATE</th> </tr> </thead> <tbody> <tr> <td>DFTO Zhuwm 12/28/05</td> <td>CHKD DATE</td> </tr> <tr> <td>MFO DATE</td> <td>APPVL DATE</td> </tr> </tbody> </table>		DATE	DATE	DFTO Zhuwm 12/28/05	CHKD DATE	MFO DATE	APPVL DATE	<p>DEGSON® 宁波高正电子有限公司 DEGSON ELECTRONICS CO., LTD</p>	
MM (INCH)	TOLERANCES EXCEPT AS NOTED																		
.0 ±	±																		
.00 ±	±																		
.000 ±	±																		
DATE	DATE																		
DFTO Zhuwm 12/28/05	CHKD DATE																		
MFO DATE	APPVL DATE																		
<table border="1"> <thead> <tr> <th>ANGLES ± 1°</th> <th>G.E :</th> </tr> </thead> <tbody> <tr> <td></td> <td></td> </tr> </tbody> </table>		ANGLES ± 1°	G.E :			<p>NAME DG38H-A-XXP-1Y-00A (H)</p>		<p>DRAWING NO. DG38H-E01 /PART NO.</p>											
ANGLES ± 1°	G.E :																		
<p>THIRD ANGLE PROJECTION</p>		<p>FINISH :</p>		<p>SCALE : 1:1</p>															
<p>DO NOT SCALE DRAWING</p>				<p>SHEET 1 OF 1</p>															