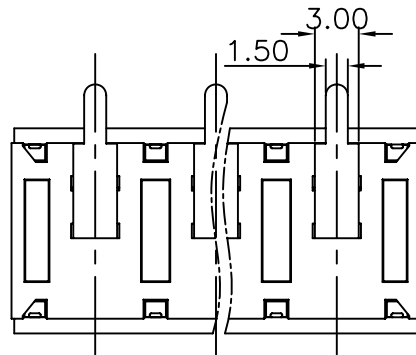
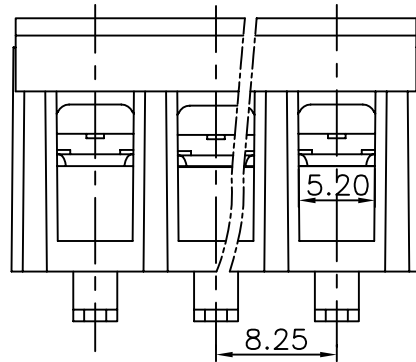
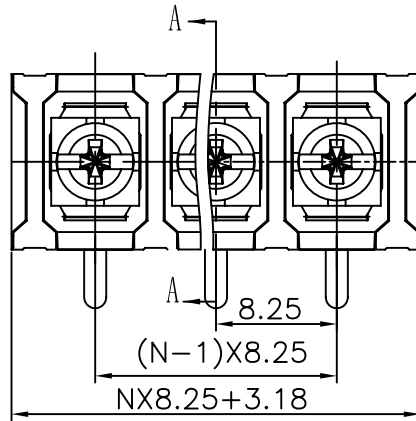


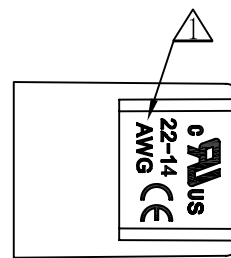
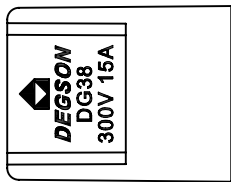
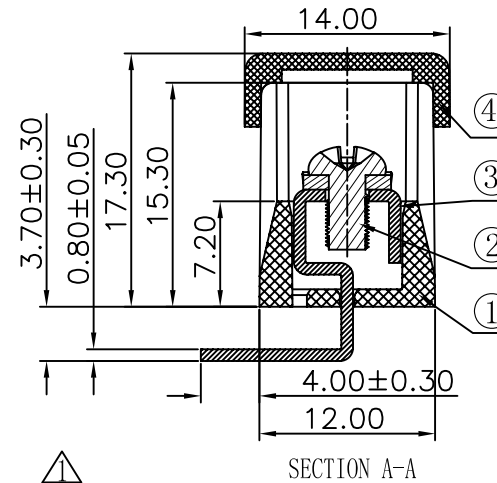
REVISION RECORD				
REV	ECO	DESCRIPTION	DRFT	DATE
1		增加UL刻字	CSX	03/13/07
2		品名、料号增加环保标识“(H)”	YeJ	12/08/07



Notes:

1. Pitch:8.25mm ,Poles:2-26P
2. Rated current:15A
3. Rated voltage:300V
4. Operation temperatures:-40° C~+105° C
5. Insulation Withstand Voltage:AC2000V/Min
6. Insulation Resistance:500MΩ /DC500V
7. Wire Range:22~14AWG
8. Max. Torque Value:5.1kgf.cm
9. Undimensioned Tolerances:

Pitch range in mm		Nominal dimension range in mm				
to 6	over 6 to 10	over 10 to 24	over 30 to 60	over 60 to 100	over 100 to 150	
±0.10	±0.15	±0.25	±0.2	±0.3	±0.5	±1.0
						0.05/10



4	DG38-Cover	5050C07XXA (H)	1	PC	
3	DG28R Pin header	5006B00070 (H)	XX	Brass	SnCe plated
2	M3*6 (6*6) bright Screws	S000000450 (H)	XX	Steel	Ni plated

1	DG38-B housing	5050A0YXXA (H)	1	PA66+23%GF	UL94V-0												
ITEM	NAME OF PART	NO. OF PART	Q'TY	MATERIAL	NOTES												
<table border="1"> <thead> <tr> <th>MM (INCH)</th> <th>TOLERANCES EXCEPT AS NOTED</th> </tr> </thead> <tbody> <tr> <td>.0 ±</td> <td>±</td> </tr> <tr> <td>.00 ±</td> <td>±</td> </tr> <tr> <td>.000 ±</td> <td>±</td> </tr> </tbody> </table>		MM (INCH)	TOLERANCES EXCEPT AS NOTED	.0 ±	±	.00 ±	±	.000 ±	±	<table border="1"> <thead> <tr> <th>DATE</th> <th>DATE</th> </tr> </thead> <tbody> <tr> <td>12/28/05</td> <td></td> </tr> </tbody> </table>		DATE	DATE	12/28/05		<p>DEGSON® 宁波高正电子有限公司 DEGSON ELECTRONICS CO., LTD</p>	
MM (INCH)	TOLERANCES EXCEPT AS NOTED																
.0 ±	±																
.00 ±	±																
.000 ±	±																
DATE	DATE																
12/28/05																	
<table border="1"> <thead> <tr> <th>DATE</th> <th>DATE</th> </tr> </thead> <tbody> <tr> <td></td> <td></td> </tr> </tbody> </table>		DATE	DATE			<p>MATERIAL :</p>		<p>NAME DG38R-B-XXP-1Y-00A (H)</p>									
DATE	DATE																
<p>ANGLES ± 1°</p>		<p>G.E :</p>		<p>DRAWING NO. DG38R-E02</p>													
<p>THIRD ANGLE PROJECTION</p>		<p>FINISH :</p>		<p>SIZE A3</p>													
		<p>SCALE : 1:1</p>		<p>REV T2 12/08/07</p>													
				<p>DO NOT SCALE DRAWING</p>													
				<p>SHEET 1 OF 1</p>													