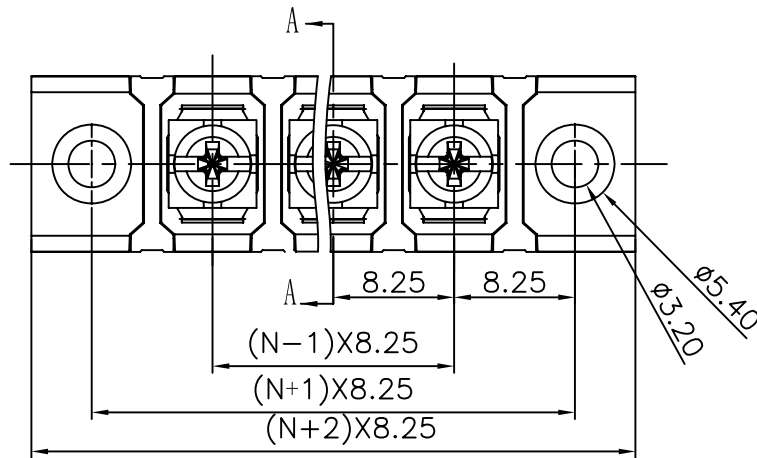


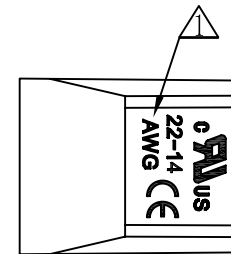
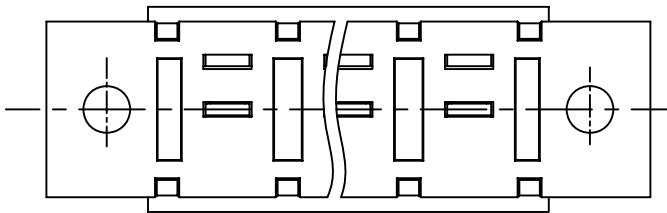
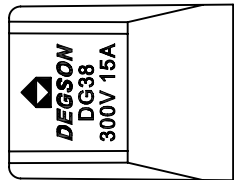
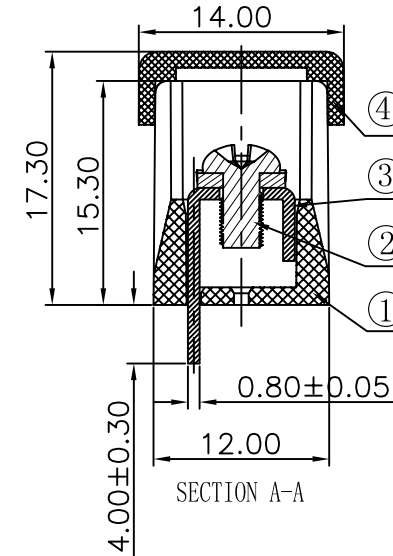
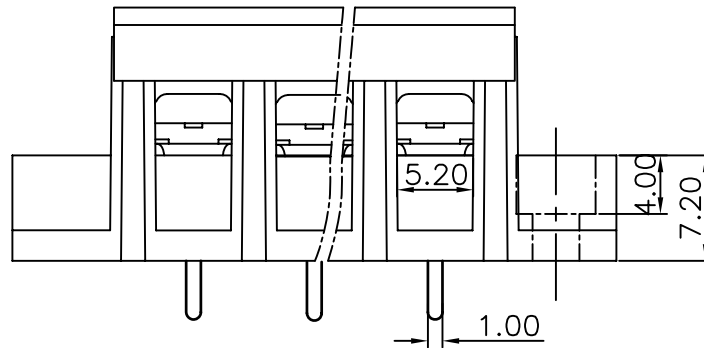
REVISION RECORD					
REV	ECO	DESCRIPTION	DRFT	DATE	
1		增加UL刻字	CSX	03/13/07	
2		品名、料号增加环保标识“(H)”	YeJ	12/08/07	



Notes:

1. Pitch:8.25mm , Poles:2-24P
2. Rated current:15A
3. Rated voltage:300V
4. Operation temperatures:-40° C~+105° C
5. Insulation Withstand Voltage:AC2000V/Min
6. Insulation Resistance:500MΩ /DC500V
7. Wire Range:22~14AWG
8. Max. Torque Value:5.1kgf.cm
9. Undimensioned Tolerances:

Pitch range in mm		Nominal dimension range in mm				
to	over	to	over	to	over	
6	6 to 10	10 to 24	30 to 60	60 to 100	100 to 150	150
±0.10	±0.15	±0.25	±0.2	±0.3	±0.5	±0.7
					±1.0	0.05/10



1	DG38-A housing	5050MOYXXA (H)	1	PA66+23%GF	UL94V-0
ITEM	NAME OF PART	NO. OF PART	Q'TY	MATERIAL	NOTES
DETACHED LISTS	MM (INCH)	DFTO Zhuwm	DATE 12/28/05	宁波高正电子有限公司 DEGSON ELECTRONICS CO., LTD NAME DG38S-A-XXP-1Y-00A (H)	
	TOLERANCES EXCEPT AS NOTED	CHKD	DATE		
		MFO	DATE		
		APPVL	DATE		
	MM	±	MATERIAL :		
	.0 ±	±	G.E :		
	.00 ±	±	FINISH :		
	.000 ±	±	SCALE : 1:1		
ANGLES ± 1'		THIRD ANGLE PROJECTION		DO NOT SCALE DRAWING	
				DRAWING NO. DG38S-E01	
				/PART NO.	
				SIZE A3	REV T2 12/08/07
				SHEET 1 OF 1	

4	DG38-Cover	5050C07XXA (H)	1	PC	
3	DG28S Pin header	5006B00040 (H)	XX	Brass	SnCe plated
2	M3*6 (6*6) bright Screws	S000000450 (H)	XX	Steel	Ni plated