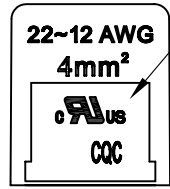
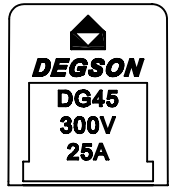
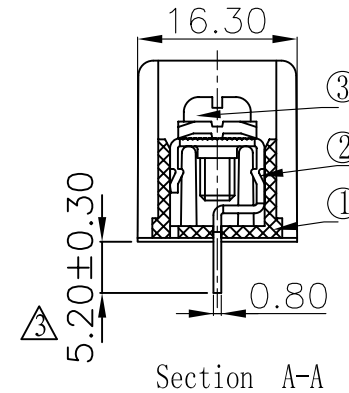
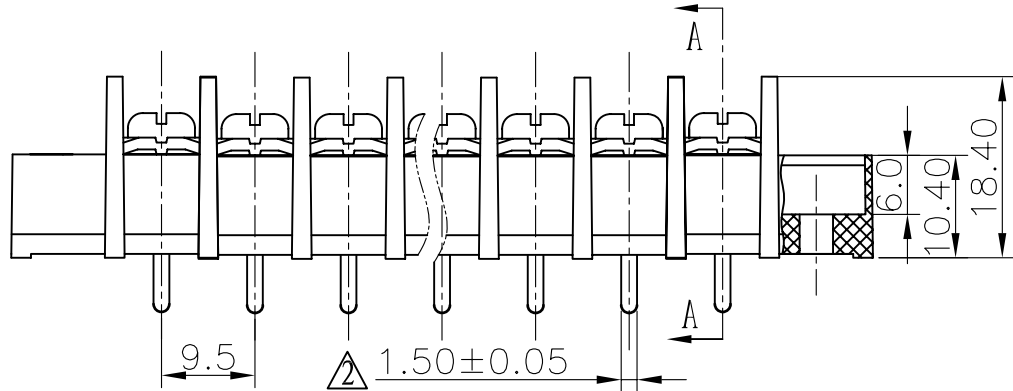
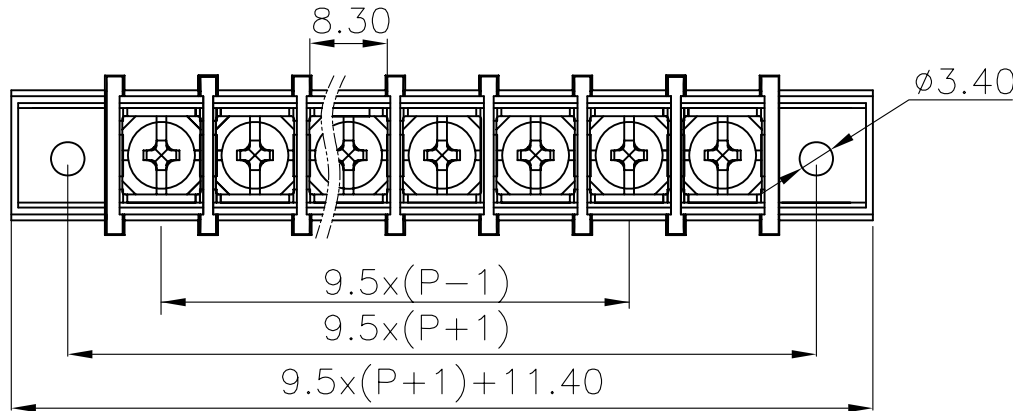


REVISION RECORD					
REV	ECO	DESCRIPTION	DRFT	DATE	
△1		1.50±0.03 ⇒ 1.60±0.05	HW	05/26/05	
△2		5.2±0.15 ⇒ 5.2±0.30	DZJ	09/20/05	
△4		增加UL刻字	CSX	05/10/06	
△5		品名、料号增加环保标识“00”	YeJ	12/08/07	

Notes:

1. Pitch:9.5mm , Poles:2-24P ;
2. Rated current:25A
3. Rated voltage:300V
4. Operation temperatures:-40° C~+105° C
5. Insulation Withstand Voltage:AC2000V/1min
6. Insulation Resistance: 500MΩ /DC500V
7. Wire Range:22~12AWG
8. Max. Torque Value:12.24Kgf. cm.
9. Undimensioned Tolerances:

Pitch range in mm		Nominal dimension range in mm						
to	over	to	over	to	over	to		
6	6	10	10	30	60	100	150	
6	10	24	30	60	100	150	∞	
±0.10	±0.15	±0.25	±0.2	±0.3	±0.5	±0.7	±1.0	0.05/10



3	4*8(7.5*7.5) bright Screws	S000000570(H)	XX	Steel	Ni-Plated
2	DG45C-Pin header	5003B00010(H)	XX	Brass	SnCe

1	DG45C-A housing	5003MOYXXA(H)	1	PA66	UL94V-0
ITEM	NAME OF PART	NO. OF PART	Q'TY	MATERIAL	NOTES
DETACHED LISTS	MM (INCH)	DFTO hefci	DATE 11/03/03"	宁波高正电子有限公司 DEGSON ELECTRONICS CO., LTD NAME DG45C-A-XXP-1Y-00A(H)	
	TOLERANCES EXCEPT AS NOTED	CHKD	DATE		
		MFO	DATE		
		APPVL	DATE		
	MM			MATERIAL :	
	.0 ±	±		G.E :	
	.00 ±	±		FINISH :	DRAWING NO. DG45C-E03
	.000 ±	±		SCALE : 1:1	/PART NO.
	ANGLES ± 1°			DO NOT SCALE DRAWING	SIZE A3
	THIRD ANGLE PROJECTION			SHEET 1	REV T5 12/08/07"