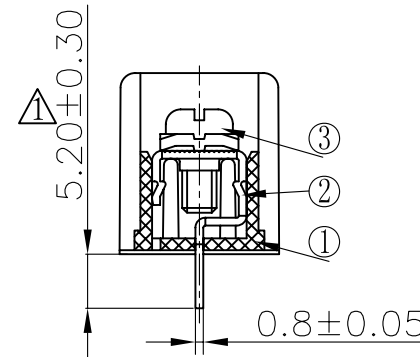
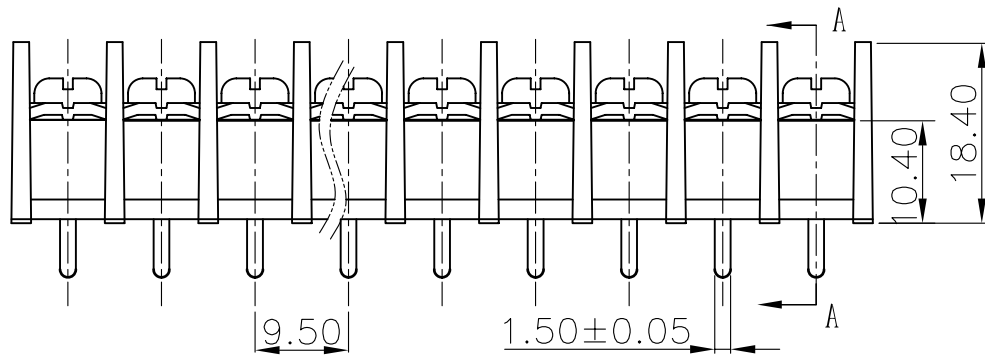
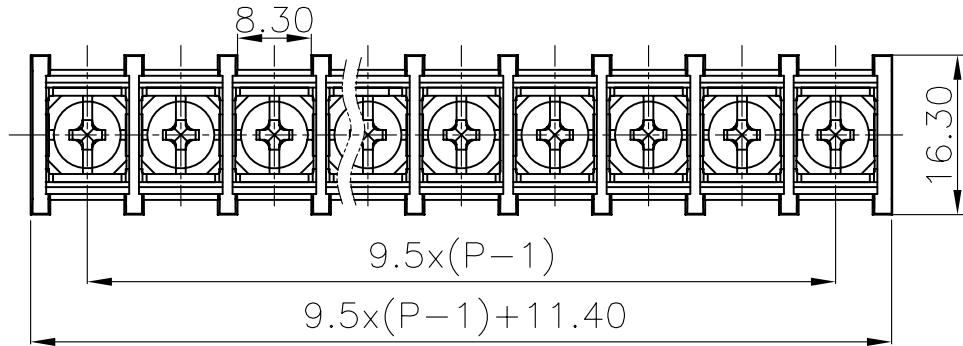


REVISION RECORD					
REV	ECO	DESCRIPTION	DRFT	DATE	
△		5.2±0.15⇒5.2±0.30	DZJ	09/20/05*	
△		图面整理	CSX	06/10/06*	

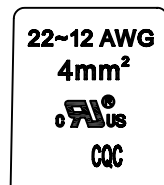
Notes:

1. Pitch: 9.5mm , Poles: 2-26P ;
2. Rated current: 25A
3. Rated voltage: 300V
4. Operation temperatures: -40° C ~ +105° C
5. Insulation Withstand Voltage: AC2000V/1Min
6. Insulation Resistance: 500MΩ / DC500V
7. Wire Range: 22~12AWG
8. Max. Torque Value: 12.24Kgf. cm.
9. Undimensioned Tolerances:

Pitch range in mm		Nominal dimension range in mm						
to 6	over 6 to 10	over 10 to 24	over 6 to 30	over 30 to 90	over 90 to 200	over 200 to 480	∩ ∇	
±0.10	±0.15	±0.25	±0.1	±0.2	±0.3	±0.5	±0.7	0.05/10



Section A-A



3	4*8 (7.5*7.5) bright Screws	S000000570 (H)	XX	Steel	Ni-Plated
2	DG45C-Pin header	5003B00010 (H)	XX	Brass	SnCe

1	DG45C-B-Housing (H)	5003A0YXXA (H)	1	PA66	UL94V-0
ITEM	NAME OF PART	NO. OF PART	Q'TY	MATERIAL	NOTES
DETACHED LISTS	MM (INCH)	DFTO DZJ	DATE 08/31/05*	宁波高正电子有限公司 DEGSON ELECTRONICS CO., LTD NAME DG45C-B-XXP-1Y-00A(H) DRAWING NO. DG45C-E14 /PART NO. FINISH : SCALE : 1:1 DO NOT SCALE DRAWING	
	TOLERANCES EXCEPT AS NOTED	CHKD	DATE		
		MFO	DATE		
		APPVL	DATE		
		MATERIAL :			
	ANGLES ± 1°	G.E :		DRAWING NO. DG45C-E14	SIZE A3
	THIRD ANGLE PROJECTION			/PART NO.	REV T2 06/10/06*
				SHEET 1 OF 1	