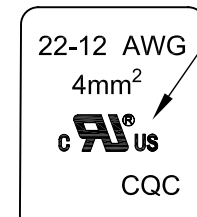
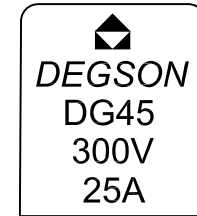
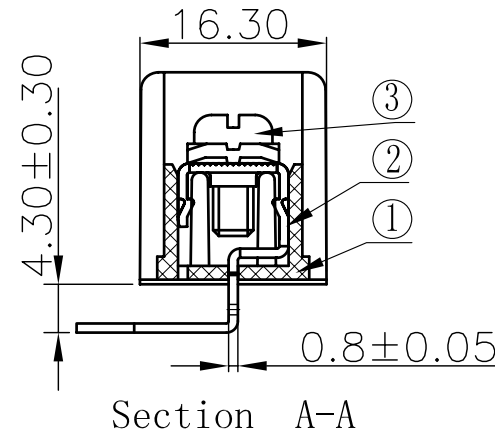
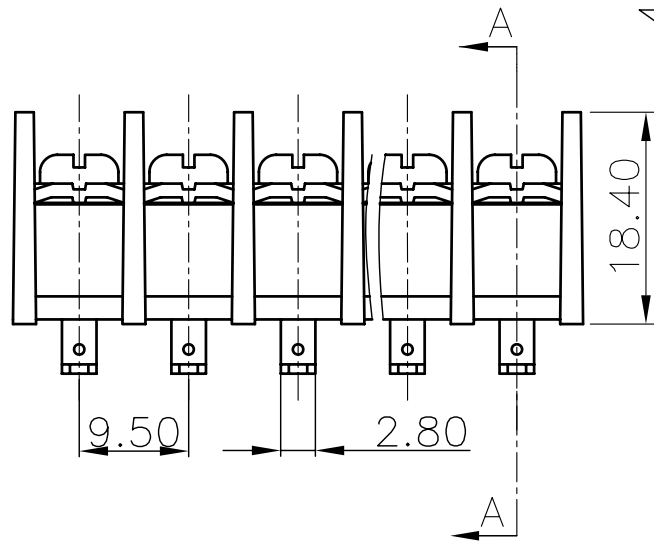
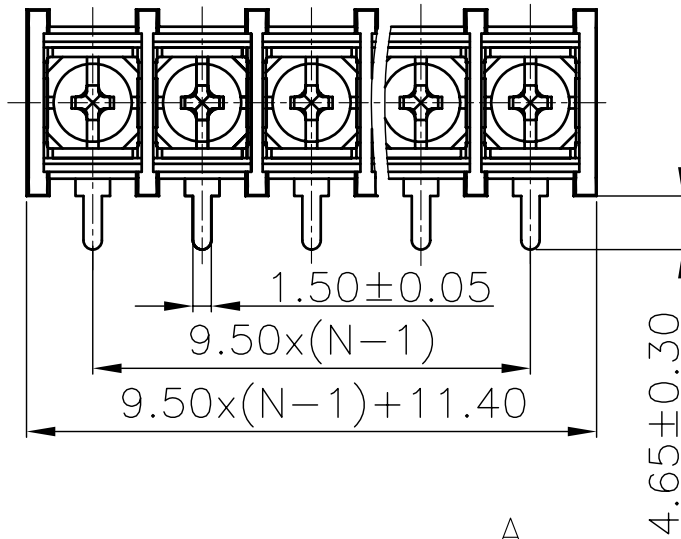


REVISION RECORD					
REV	ECO	DESCRIPTION	DRFT	DATE	
△		图面更新	CSX	02/28/06	

Notes:

1. Pitch: 9.5mm
2. Rated current:25A
3. Rated voltage:300V
4. Operation temperatures:-40° C~+105° C
5. Insulation Withstand Voltage:AC2000V/1Min
6. Insulation Resistance:500MΩ/DC500V
7. Wire Range:22~12AWG
8. Max. Torque Value:12.24kgf. cm
9. Undimensioned Tolerances:

Pitch range in mm		Nominal dimension range in mm					
to	over	over	to	over	over	over	
6	6 to 10	10 to 24	6 to 30	30 to 90	90 to 200	200 to 480	∩ □
±0.10	±0.15	±0.25	±0.1	±0.2	±0.3	±0.5	±0.7 _{0.05/10}



3	4*8(7.5*7.5)Bright Screws	S000000570(H)	XX	Steel	Ni plated
2	DG45R Pin header	5003B00060(H)	XX	Brass	SnCe

1	DG45R-B Housing	5003A0YXXA(H)	1	PA66	UL94V-0	
ITEM	NAME OF PART	NO. OF PART	Q'TY	MATERIAL	NOTES	
DETACHED LISTS	MM (INCH)	DFTO Home	DATE 12/09/05*	宁波高正电子有限公司 DEGSON ELECTRONICS CO., LTD NAME: DG45R-B-XXP-1Y-00A(H) DRAWING NO. DG45R-E19 /PART NO. SCALE: 1:1 DO NOT SCALE DRAWING		
	TOLERANCES EXCEPT AS NOTED		CHKD			DATE
			MFO			DATE
			APPVL			DATE
			MATERIAL :			
ANGLES ± 1°		G.E :		SIZE		
THIRD ANGLE PROJECTION		FINISH :		REV T1		
			SCALE : 1:1		02/28/06	
				SHEET 1 OF 1		