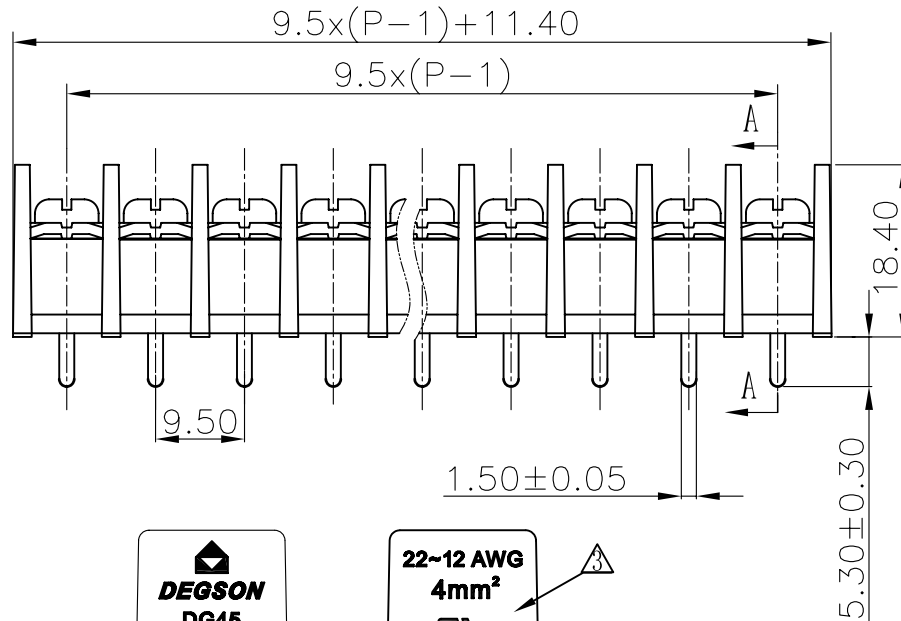
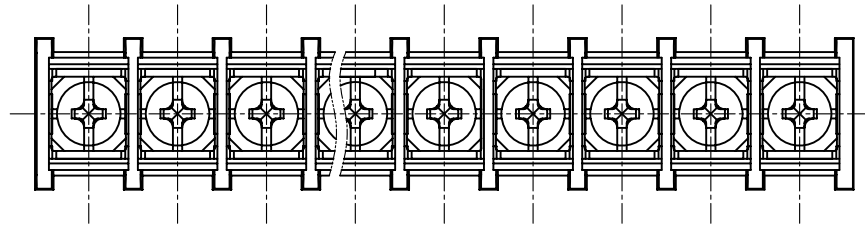


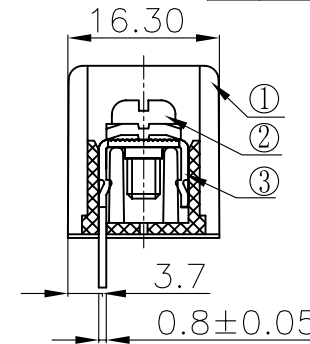
REVISION RECORD					
REV	ECO	DESCRIPTION	DRFT	DATE	
⚠		name numbers: S000001110(H) → S000000370(H) Plating Zinc related → Ni plated	DZJ	09/15/05*	
⚠		增加UL刻字	CSX	07/04/06	
⚠	ECN10-0104	去掉UL中的小“R”	Lasting.He	05/04/10	

Notes:

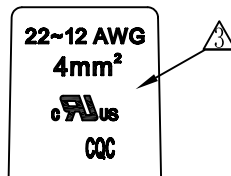
1. Pitch: 9.5mm Poles: 2-26P
2. Rated current: 25A
3. Rated voltage: 300V
4. Operation temperatures: -40° C ~ +105° C
5. Insulation Withstand Voltage: AC2000V/1Min
6. Insulation Resistance: 500MΩ / DC500V
7. Wire Range: 22~12AWG
8. Max. Torque Value: 12.24kgf. cm
9. Undimensioned Tolerances:



Pitch range in mm		Normal dimension range in mm						—
to	over	to	over	to	over	to	over	
6	10	6	30	90	200	480		∩
6	24	6	30	90	200	480		▭
±0.10	±0.15	±0.25	±0.1	±0.2	±0.3	±0.5	±0.7	0.05/10



Section A-A



1	DG45S-B-00A Housing	5003A0YXXA(H)	1	PA66	UL94V-0															
ITEM	NAME OF PART	NO. OF PART	Q'TY	MATERIAL	NOTES															
<table border="1"> <tr> <td>← MM (INCH) →</td> <td>DFTO DZJ</td> <td>DATE 09/02/05*</td> </tr> <tr> <td>TOLERANCES EXCEPT AS NOTED</td> <td>CHKD</td> <td>DATE</td> </tr> <tr> <td></td> <td>MFO</td> <td>DATE</td> </tr> <tr> <td></td> <td>APPVL</td> <td>DATE</td> </tr> <tr> <td colspan="3">MATERIAL :</td> </tr> </table>		← MM (INCH) →	DFTO DZJ	DATE 09/02/05*	TOLERANCES EXCEPT AS NOTED	CHKD	DATE		MFO	DATE		APPVL	DATE	MATERIAL :			宁波高正电子有限公司 DEGSON ELECTRONICS CO., LTD			
← MM (INCH) →	DFTO DZJ	DATE 09/02/05*																		
TOLERANCES EXCEPT AS NOTED	CHKD	DATE																		
	MFO	DATE																		
	APPVL	DATE																		
MATERIAL :																				
DETACHED LISTS		NAME DG45S-B-XXP-1Y-00A(H)																		
ANGLES ± 1'		G.E :		DRAWING NO. DG45S-E10																
THIRD ANGLE PROJECTION		FINISH :		/PART NO.																
SCALE : 1:1			DO NOT SCALE DRAWING		SHEET 1 OF 1															

3	DG45S Pin header	5003B00080(H)	XX	Brass	SnCe
2	4*8(7.5*7.5)Bright Screws	S000000570(H)	XX	Steel	Ni plated