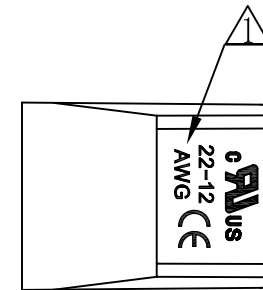
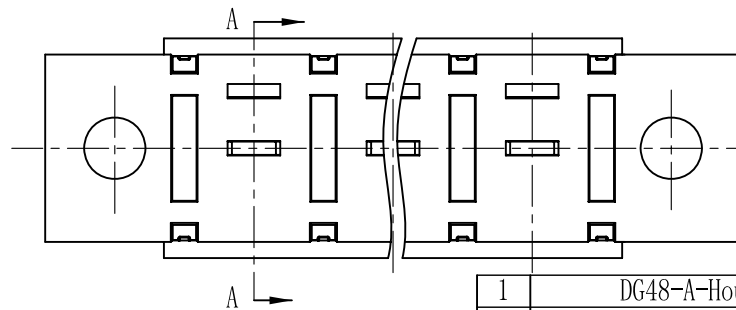
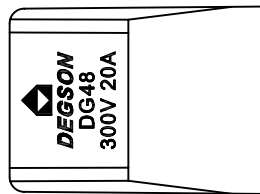
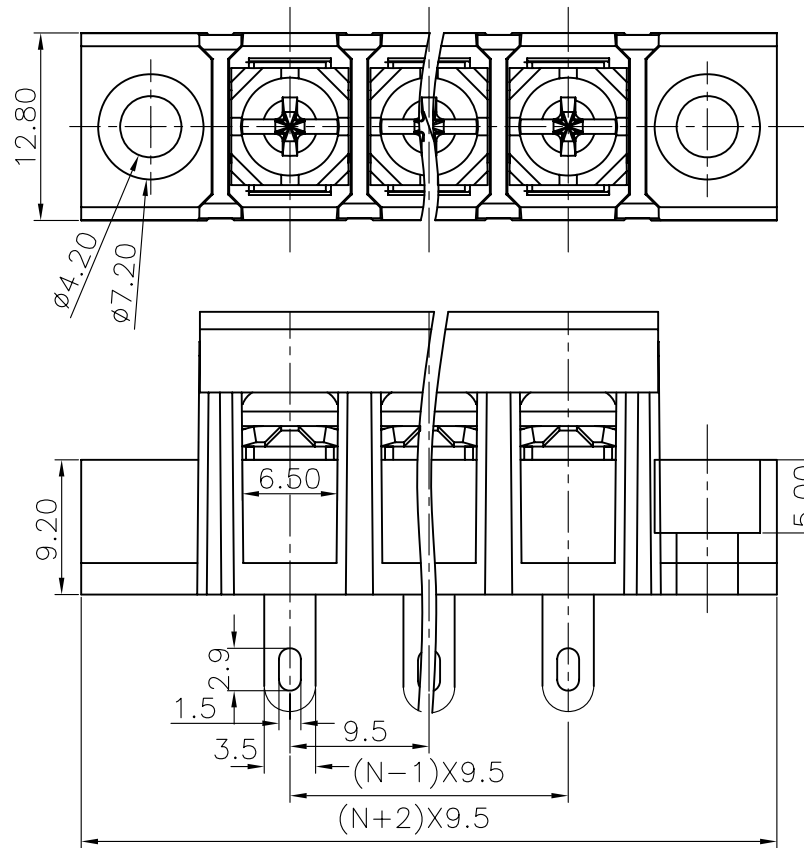
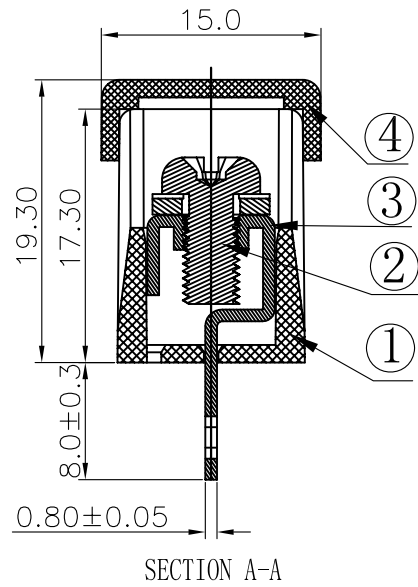


REVISION RECORD				
REV	ECO	DESCRIPTION	DRFT	DATE
1		增加UL刻字	CSX	03/16/07
2		品名、料号增加环保标识“(H)”	Ye j	12/08/07

Notes:

1. Pitch:9.5mm ,Poles:2-20P
2. Rated current:20A
3. Rated voltage:300V
4. Operation temperatures:-40° C~+105° C
5. Insulation Withstand Voltage:AC2000V/Min
6. Insulation Resistance:500MΩ/DC500V
7. Wire Range:22~12AWG
8. Max. Torque Value:12.24kgf.cm
9. Undimensioned Tolerances:

Pitch range in mm		Nominal dimension range in mm						
to	over	to	over	to	over	to		
6	6	10	10	30	60	100	150	—
to 6	to 10	to 24	to 30	to 60	to 100	to 150		□
±0.10	±0.15	±0.25	±0.2	±0.3	±0.5	±0.7	±1.0	0.05/10



4	DG48-Cover	5051C07XXA(H)	1	PC	
3	DG58H Pin header	5008B00050(H)	XX	Brass	SnCe plated
2	M4*8(7.5*7.5)bright Screws	S000000570(H)	XX	Steel	Ni plated

ITEM	NAME OF PART	NO. OF PART	Q'TY	MATERIAL	NOTES
1	DG48-A-Housing	5051M0YXXA(H)	1	PA66+23%GF	UL94V-0

MM (INCH)	DFTO Zhuwm	DATE 01/13/06"
TOLERANCES EXCEPT AS NOTED	CHKD	DATE
	MFO	DATE
	APPVL	DATE
MM	±	
.0 ±	±	
.00 ±	±	
.000 ±	±	
ANGLES ± 1°	G.E :	
THIRD ANGLE PROJECTION	FINISH :	
	SCALE : 1:1	

NAME		DEGSON® 宁波高正电子有限公司 DEGSON ELECTRONICS CO., LTD	
DG48H-A-XXP-1Y-00A(H)			
DRAWING NO. DG48H-E01		SIZE	REV
/PART NO.		A3	T2
		12/08/07"	
DO NOT SCALE DRAWING		SHEET 1	OF 1