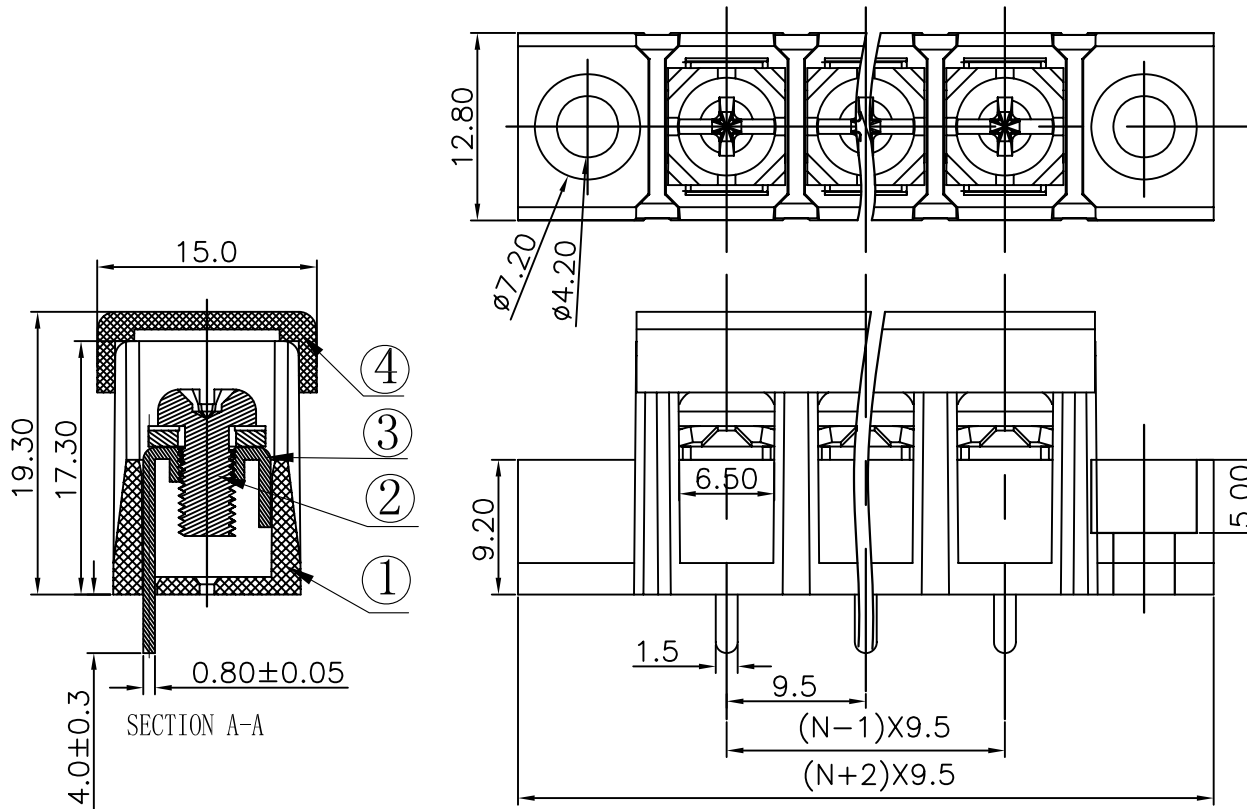


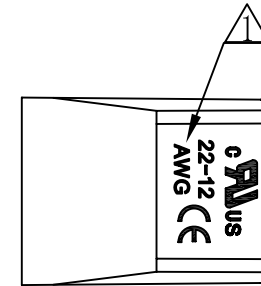
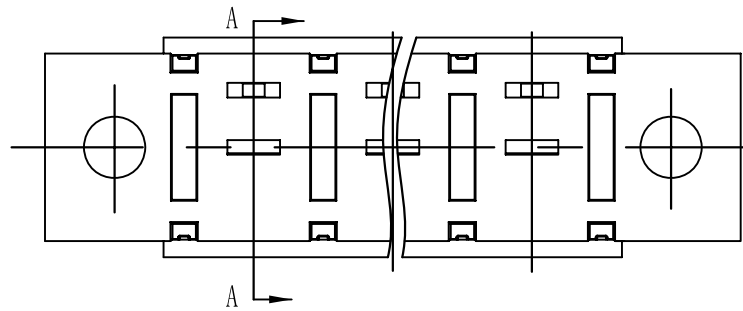
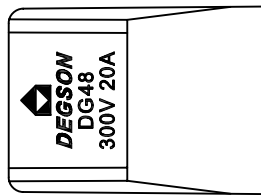
REVISION RECORD				
REV	ECO	DESCRIPTION	DRFT	DATE
△		增加机刻字	CSX	03/16/07
△		品名、料号增加环保标识“00”	YeJ	12/08/07



Notes:

1. Pitch:9.5mm , Poles:2-20P
2. Rated current:20A
3. Rated voltage:300V
4. Operation temperatures:-40° C~+105° C
5. Insulation Withstand Voltage:AC2000V/Min
6. Insulation Resistance:500MΩ /DC500V
7. Wire Range:22~12AWG
8. Max. Torque Value:12.24kgf.cm
9. Undimensioned Tolerances:

Pitch range in mm		Nominal dimension range in mm						
to	over	to	over	over	over			
6	6	10	10	30	60	100	150	∩
6	10	24	30	60	100	150		∇
±0.10	±0.15	±0.25	±0.2	±0.3	±0.5	±0.7	±1.0	0.05/10



4	DG48-Cover	5051C07XXA(H)	1	PC	
3	DG58S Pin header	5008B00030(H)	XX	Brass	SnCe plated
2	M4*8(7.5*7.5)bright Screws	S000000570(H)	XX	Steel	Ni plated

1	DG48-A-Housing	5051M0YXXA(H)	1	PA66+23%GF	UL94V-0
ITEM	NAME OF PART	NO. OF PART	Q'TY	MATERIAL	NOTES
TOLERANCES EXCEPT AS NOTED		DFTO Zhuwm	DATE 01/13/06"	宁波高正电子有限公司 DEGSON ELECTRONICS CO., LTD	
MM (INCH)		CHKD	DATE		
.0 ±		MFO	DATE		
.00 ±		APPVL	DATE		
.000 ±		MATERIAL :		NAME	
ANGLES ± 1°		G.E :		DG48S-A-XXP-1Y-00A(H)	
THIRD ANGLE PROJECTION		FINISH :		DRAWING NO. DG48S-E01	
		SCALE : 1:1		/PART NO.	
		DO NOT SCALE DRAWING		SIZE A3	
		SHEET 1		REV T2 12/08/07	
		OF 1			