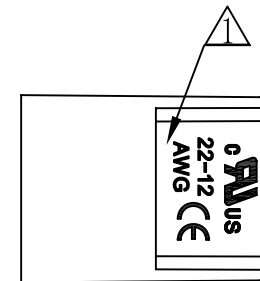
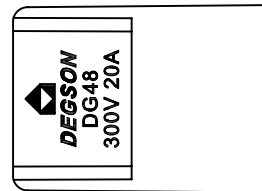
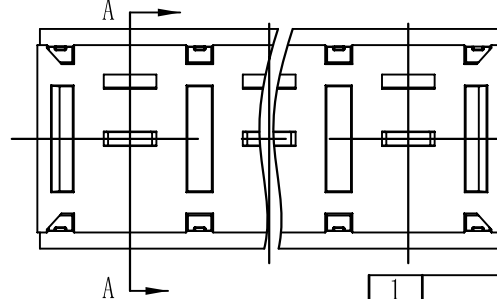
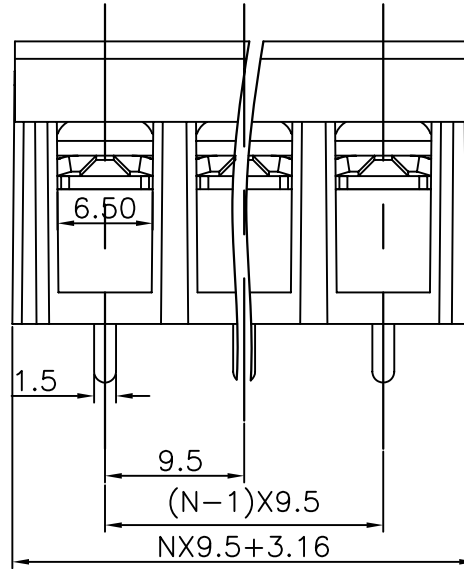
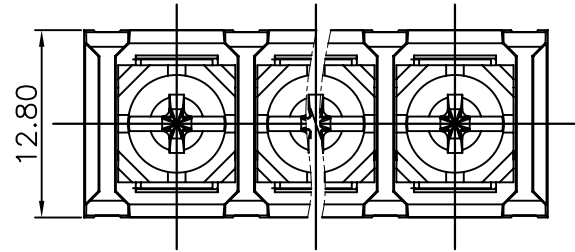
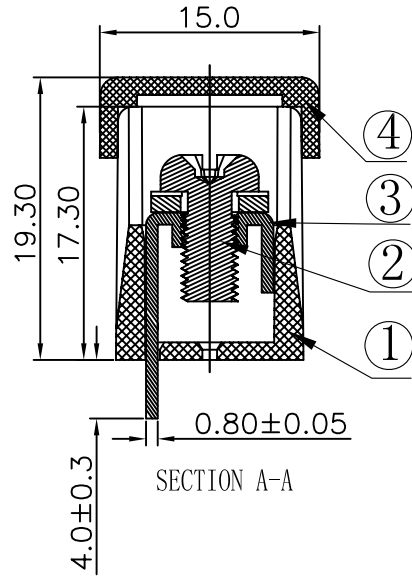


REVISION RECORD				
REV	ECO	DESCRIPTION	DRFT	DATE
△		增加UL刻字	CSX	03/16/07
△		品名、料号增加环保标识“00”	YeJ	12/08/07

Notes:

1. Pitch:9.5mm ,Poles:2-22P
2. Rated current:20A
3. Rated voltage:300V
4. Operation temperatures:-40° C~+105° C
5. Insulation Withstand Voltage:AC2000V/Min
6. Insulation Resistance:500MΩ /DC500V
7. Wire Range:22~12AWG
8. Max. Torque Value:12.24kgf.cm
9. Undimensioned Tolerances:

Pitch range in mm		Nominal dimension range in mm						—
to	over	to	over	to	over	to	over	—
6	10	10	30	30	60	100	150	∩
								∇
±0.10	±0.15	±0.25	±0.2	±0.3	±0.5	±0.7	±1.0	0.05/10



4	DG48-Cover	5051C07XXA(H)	1	PC	
3	DG58S Pin header	5008B00030(H)	XX	Brass	SnCe plated
2	M4*8(7.5*7.5)bright Screws	S000000570(H)	XX	Steel	Ni plated

1	DG48-B-Housing	5051A0YXXA(H)	1	PA66+23%GF	UL94V-0
ITEM	NAME OF PART	NO. OF PART	Q'TY	MATERIAL	NOTES
DETACHED LISTS	MM (INCH)	DFTO Zhuwm	DATE 01/13/06"	宁波高正电子有限公司 DEGSON ELECTRONICS CO., LTD NAME DG48S-B-XXP-1Y-00A(H) DRAWING NO. DG48S-E02 /PART NO. SCALE: 1:1 DO NOT SCALE DRAWING SHEET 1 OF 1	
	TOLERANCES EXCEPT AS NOTED	CHKD	DATE		
		MFO	DATE		
		APPVL	DATE		
		MATERIAL :			
	ANGLES ± 1°	G.E :			
	THIRD ANGLE PROJECTION	FINISH :			