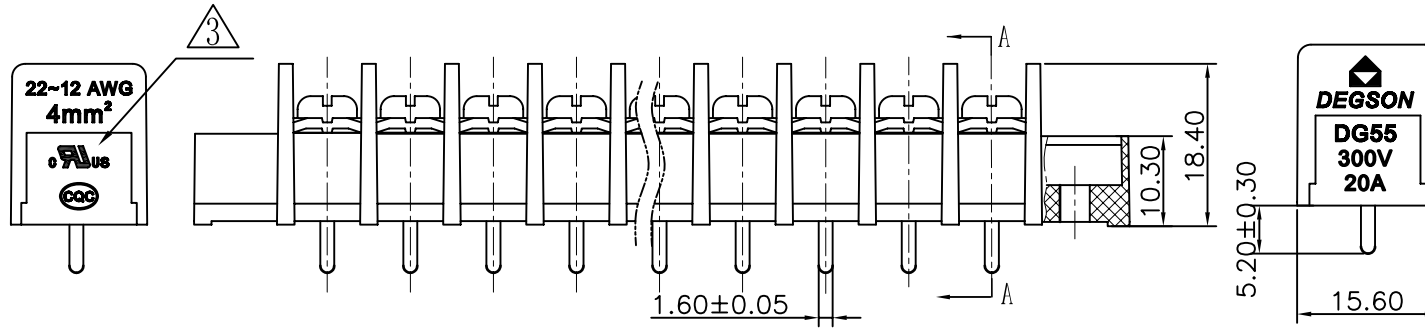
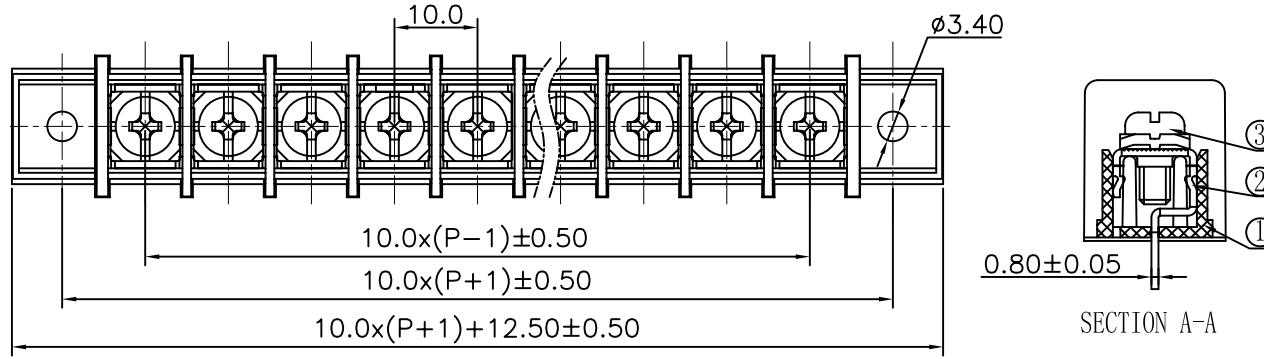


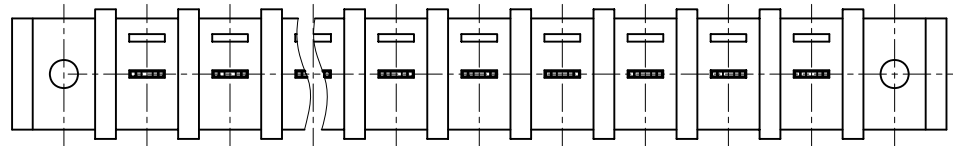
REVISION RECORD				
REV	ECO	DESCRIPTION	DRFT	DATE
2		图面更新	HW	06/09/06
3		增加UL刻字	YeJ	01/29/07
4		品名、料号增加环保标识“(H)”	YeJ	12/08/07



Notes:

1. Pitch:10.0mm Pole:2-24P
2. Rated current:20A
3. Rated voltage:300V
4. Operation temperatures:-40℃~+105℃
5. Withstanding Voltage:AC2000V/1Min
6. Insulation Resistance:500MΩ/DC500V
7. Wire Range:22~12AWG
8. Max. Torque Value: 12.24kgf.cm.
9. Undimensioned Tolerances:

Pitch range in mm		Nominal dimension range in mm				
over 6 to 10	over 10 to 24	over 30 to 60	over 60 to 100	over 100 to 150	over 150	
±0.10	±0.15	±0.25	±0.2	±0.3	±0.5	±0.7
						±1.0



3	4*8 bright Screws	S000000570 (H)	XX	Steel	Ni Plated
2	DG45C Pin header	5003B00010 (H)	XX	Brass	SnCe

1	DG55C-A Housing	5004MOYXXA (H)	1	PA66	UL94V-0	
ITEM	NAME OF PART	NO. OF PART	Q'TY	MATERIAL	NOTES	
DETACHED LISTS	MM (INCH)	DFTO WSJ	DATE 11/03/03"	宁波高正电子有限公司 DEGSON ELECTRONICS CO., LTD NAME DG55C-A-XXP-1Y-00A(H) DRAWING NO. DG55C-E03 /PART NO. SIZE A3 REV T4 12/08/07"		
	TOLERANCES EXCEPT AS NOTED		CHKD			DATE
			MFO			DATE
			APPVL			DATE
			MATERIAL :			
ANGLES ± 1'		G.E :		DO NOT SCALE DRAWING		
THIRD ANGLE PROJECTION		FINISH :		SHEET 1 OF 1		
		SCALE : 1:1				