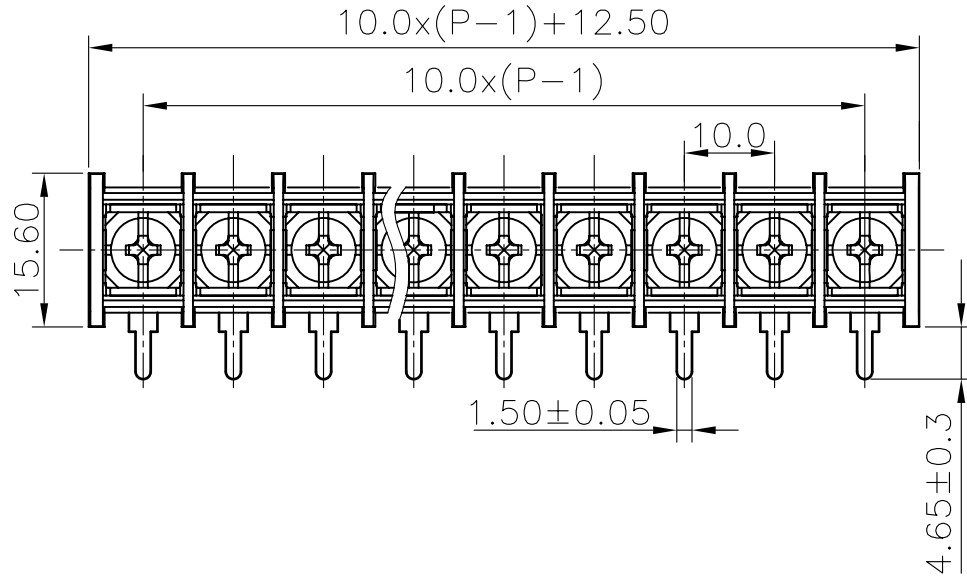


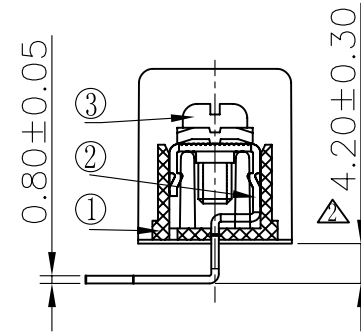
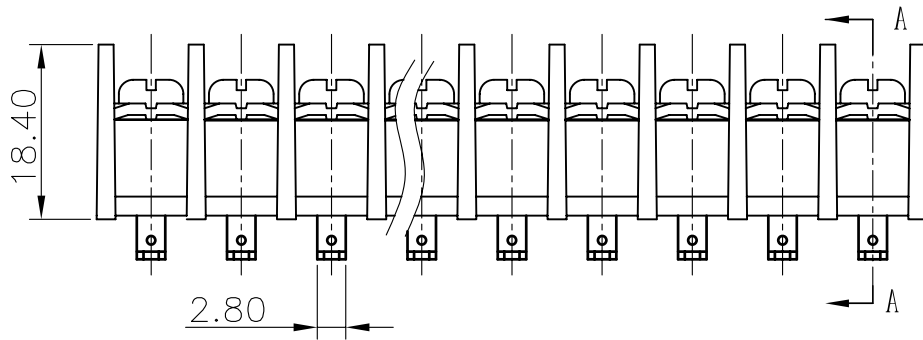
REVISION RECORD					
REV	ECO	DESCRIPTION	DRFT	DATE	
△		出脚尺寸由5.00±0.2变更到4.65±0.3	CSX	06/16/05	
△		将出脚和高度尺寸公差都改为±0.3	wyh	09/10/05	H
△		图面更新	HW	06/12/06	
△		增加UL刻字	YeJ	01/30/07	
△		品名、料号增加环保标识“(H)”	YeJ	12/08/07	



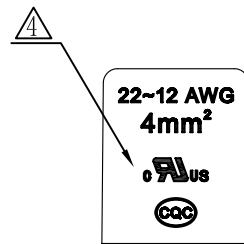
Notes:

- Pitch:10.0mm Pole:2-26P
- Rated current:20A
- Rated voltage:300V
- Operation temperatures:-40℃~+105℃
- Withstanding Voltage:AC2000V/1Min
- Insulation Resistance:500MΩ/DC500V
- Wire Range:22~12AWG
- Max.Torque Value: 12.24kgf.cm.
- Undimensioned Tolerances:

Pitch range in mm		Nominal dimension range in mm						
to	from	over 6 to 10	over 10 to 24	over 30 to 60	over 60 to 100	over 100 to 150	over 150	
±0.10	±0.15	±0.25	±0.2	±0.3	±0.5	±0.7	±1.0	0.05/0.2



Section A-A



3	4*8 bright Screw	S000000570 (H)	XX	Steel	Ni Plated
2	DG45R Pin header	5003B00060 (H)	XX	Brass	SnCe Plated

1	DG55R-B Housing	5004A0YXXA (H)	1	PA66	UL94V-0
ITEM	NAME OF PART	NO. OF PART	Q'TY	MATERIAL	NOTES
DETACHED LISTS	MM (INCH)	DFTO WSJ	DATE 11/03/03"	宁波高正电子有限公司 DEGSON ELECTRONICS CO., LTD NAME: DG55R-B-XXP-1Y-00A(H) DRAWING NO. DG55R-E01 FINISH: /PART NO. SCALE: 1:1 DO NOT SCALE DRAWING	
	TOLERANCES EXCEPT AS NOTED		CHKD DATE		
			MFO DATE		
			APPVL DATE		
			MATERIAL :		
ANGLES ± 1°		G.E :		SIZE A3	REV T5 12/08/07"
THIRD ANGLE PROJECTION				SHEET 1 OF 1	