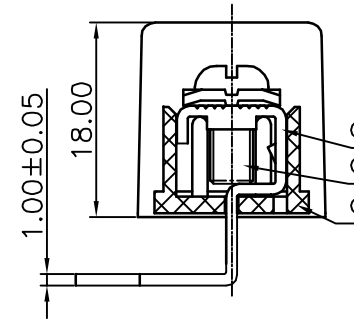


REVISION RECORD				
REV	ECO	DESCRIPTION	DRFT	DATE
△		图面更新	HW	06/05/06'
△		增加U刻字	CSX	11/21/06''
△		品名、料号增加环保标识“(H)”	YeJ	12/08/07''

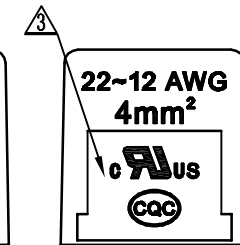
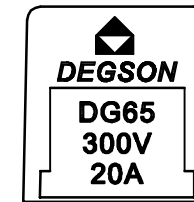
Notes:

1. Pitch: 11.0mm Pole: 2-20P
2. Rated current: 20A
3. Rated voltage: 300V
4. Operation temperatures: -40°C ~ +105°C
5. Withstanding Voltage: AC2000V/1min
6. Insulation Resistance: 500MΩ / DC500V
7. Wire Range: 22~12AWG
8. Max. Torque Value: 12.24kgf. cm.
9. Undimensioned Tolerances:

Pitch range in mm		Nominal dimension range in mm					
to 6	over 6 to 10	over 10 to 24	over 30 to 60	over 60 to 100	over 100 to 150	over 150	∩
±0.10	±0.15	±0.25	±0.2	±0.3	±0.5	±0.7	∇



截面 A-A



3	4#8 big cover and bright Screws	S000000580 (H)	XX	Steel	Ni plated
2	DG65R Pin header	5005B00070 (H)	XX	Brass	SnCe
1	DG65R-A housing	5005MOYXXA (H)	1	PA66	UL94V-0
ITEM	NAME OF PART	NO. OF PART	Q'TY	MATERIAL	NOTES
DETACHED LISTS	MM (INCH)	DFTO Haoyh	DATE 03/19/04''	宁波高正电子有限公司 DEGSON ELECTRONICS CO., LTD NAME: DG65R-A-XXP-1Y-00A(H) DRAWING NO. DG65R-E03 /PART NO. SIZE A4 DO NOT SCALE DRAWING	
	TOLERANCES EXCEPT AS NOTED	CHKD	DATE		
	MM	MFO	DATE		
	.0 ±	APPVL	DATE		
	.00 ±				
.000 ±					
ANGLES ± 1'	G.E :				
	FINISH :				
THIRD ANGLE PROJECTION	SCALE : 1:1				