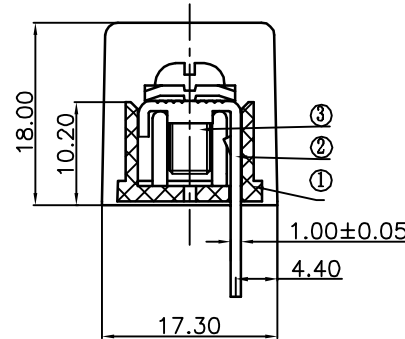
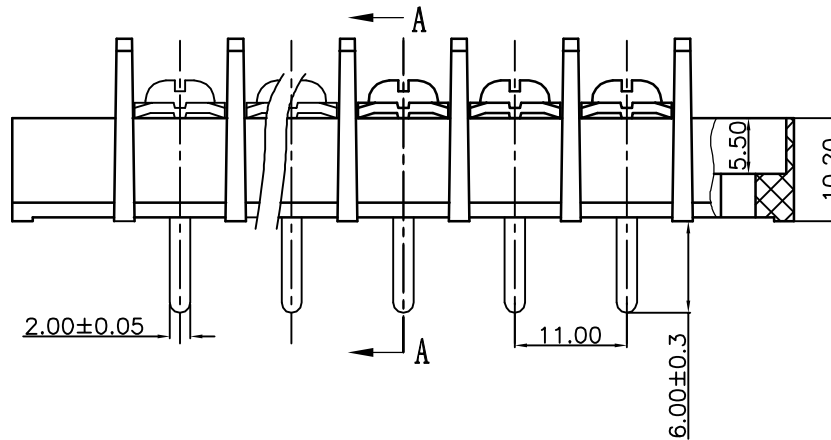
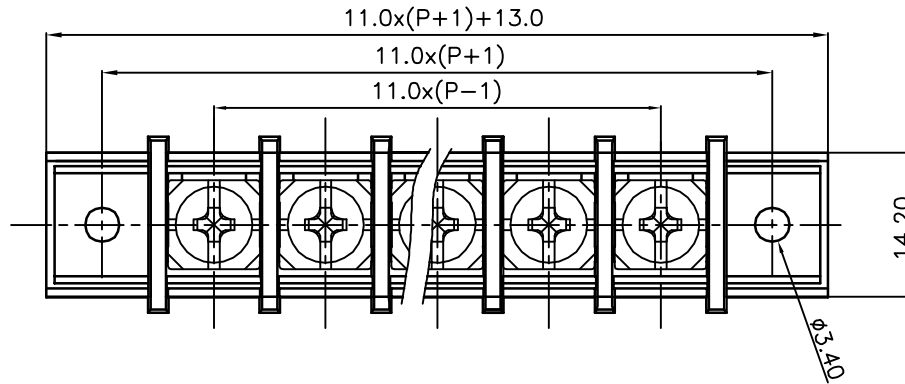


REVISION RECORD				
REV	ECO	DESCRIPTION	DRFT	DATE
③		图面更新	HW	06/05/06
②		增加UL刻字	CSX	11/23/06
④		品名、料号增加环保标识“(H)”	YeJ	12/08/07

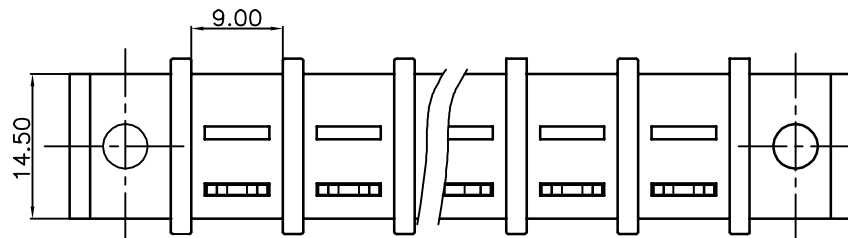
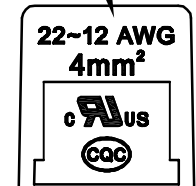
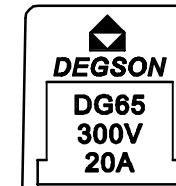
Notes:

1. Pitch: 11.0mm Pole: 2-20P
2. Rated current: 20A
3. Rated voltage: 300V
4. Operation temperatures: -40°C ~ +105°C
5. Withstanding Voltage: AC2000V/1min
6. Insulation Resistance: 500MΩ / DC500V
7. Wire Range: 22~12AWG
8. Max. Torque Value: 12.24kgf.cm.
9. Undimensioned Tolerances:

Pitch range in mm		Nominal dimension range in mm					
to	over	over	over	over	over		
6	6 to 10	10 to 24	30 to 60	60 to 100	100 to 150	150	
±0.10	±0.15	±0.25	±0.2	±0.3	±0.5	±0.7	±1.0
							0.05/10



Section A-A



3	4*8 big cover and bright Screws	S000000580 (H)	XX	Steel	Ni Plated
2	DG65S Pin header	5005B00100 (H)	XX	Brass	SnCe
1	DG65S-A housing	5005MOYXXA (H)	1	PA66	UL94V-0
ITEM	NAME OF PART	NO. OF PART	Q'TY	MATERIAL	NOTES

DETACHED LISTS	MM (INCH)	DFTO Haoyh	DATE 03/03/04"
	TOLERANCES EXCEPT AS NOTED	CHKD	DATE
		MFO	DATE
		APPVL	DATE
	MM	±	
	.0 ±	±	
	.00 ±	±	
	.000 ±	±	
	ANGLES ± 1°	G.E :	
	THIRD ANGLE PROJECTION	FINISH :	
		SCALE : 1:1	

DEGSON 宁波高正电子有限公司
DEGSON ELECTRONICS CO., LTD

NAME
DG65S-A-XXP-1Y-00A(H)

DRAWING NO. DG65S-E03 SIZE A3 REV T4
/PART NO. 12/08/07

DO NOT SCALE DRAWING SHEET 1 OF 1