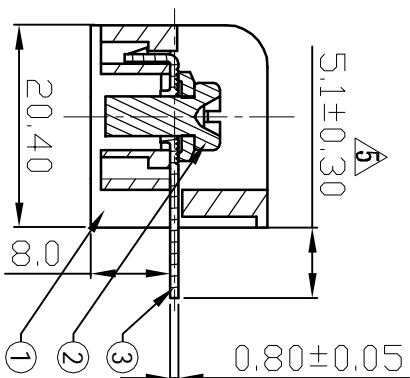
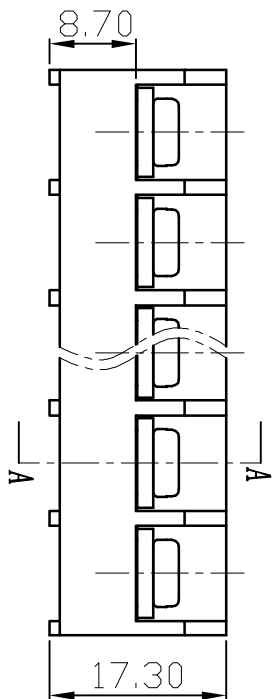
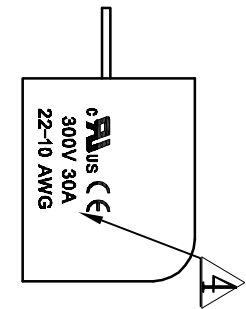
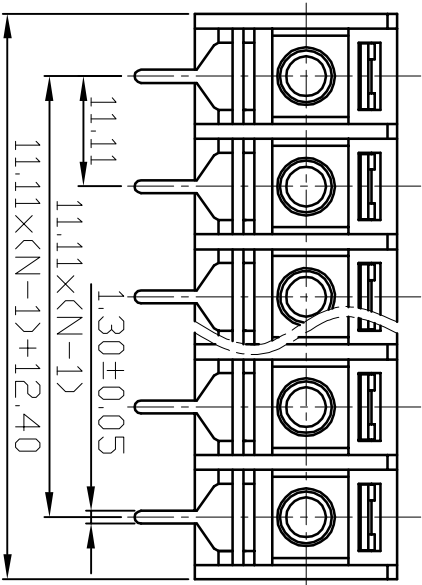
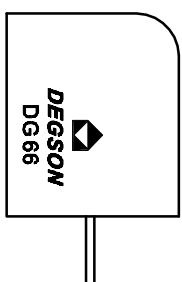


REV	ECD	DESCRIPTION	DRT	DATE
△		变更序号 S0000000580	DZJ	06/29/06
△		变更理由 增加刻字	DZJ	06/29/06
△		变更日期: 01±0.20	CSX	02/17/06
△		产品名称由D66R变更为D66R	CSX	04/18/07
△		增加刻字	YeJ	12/08/07
△		品名、料号增加环保标识“(0)”	LJH	01/02/09
△		按实物, 0±0.3改为5.1±0.3		

REVISION RECORD



Section A-A



Notes:

1. Pitch: 11.11mm, Poles: 2-12P
2. Rated voltage/current: UL 300V/30A IEC 450V/41A
3. Operation temperatures: -40°C~+105°C
4. Withstanding Voltage: AC2000V/1Min
5. Insulation Resistance: 5000MΩ/DC1000V
6. Wire Range: 22~10AWG, 6mm²
7. Max. Torque Value: M4, 12, 24kgf.cm
8. Undimensioned Tolerances:

Pitch range in mm	Nominal dimension in mm	range
over 6	over 30	over 60
to 10	to 60	to 100
to 24	to 100	to 150
to 10	to 30	to 60
to 10	to 60	to 100
to 10	to 100	to 150
±0.10	±0.15	±0.25
±0.15	±0.2	±0.3
±0.2	±0.3	±0.5
±0.3	±0.5	±0.7
±0.5	±0.7	±1.0
0.005/10		

ITEM	NAME OF PART	NO. OF PART	Q'TY	MATERIAL	NOTES
3	D666 Level pin header	5014B00030(H)	XX	Brass	SnCe
2	M4*8 (9*8) big cover and bright screens	S000000580(H)	XX	Steel	Ni plated
1	D666R-B Housing	5014A0YXXA(H)	1	PA66	UL94V-0

DEGSON 宁波德正电子有限公司
DEGSON ELECTRONICS CO., LTD

NAME: **DG66R-B-XXP-1Y-00A(H)**

DRAWING NO: **DG66R-E01**

FINISH: **1:1**

SCALE: **1:1**

DID NOT SCALE DRAWING

SHEET **1** OF **1**

DATE: 03/19/04

CHKD: DATE: APPVL: DATE: MATERIAL: G.E.:

THIRD ANGLE PROJECTION

ANGLES ± 1°

TOLERANCES EXCEPT AS NOTED

MM: ±0.10, ±0.15, ±0.20, ±0.25, ±0.30, ±0.40, ±0.50, ±0.75, ±1.00

INCH: ±0.005, ±0.010, ±0.015, ±0.020, ±0.030, ±0.040, ±0.050, ±0.075, ±0.100

SIZE: A3

REV: 15

DATE: 06/29/06