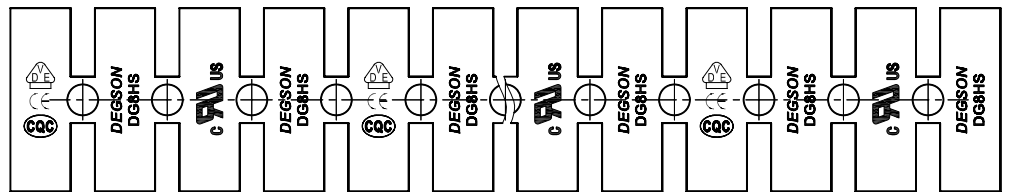
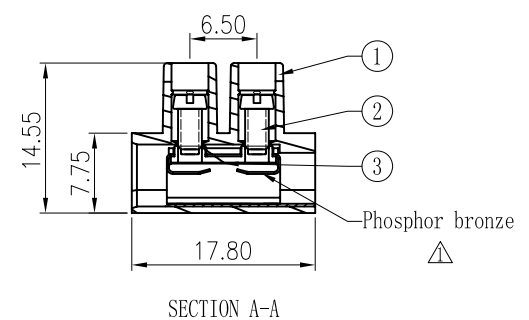
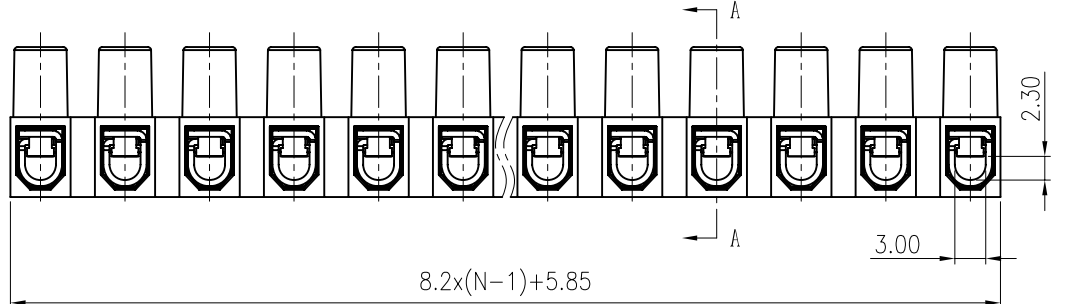
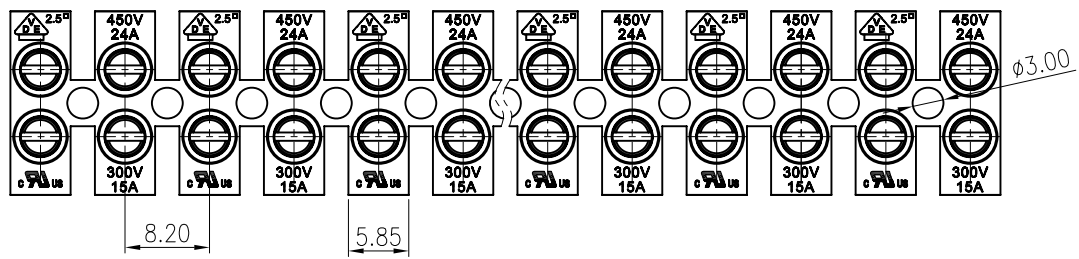


REVISION RECORD				
REV	ECN	DESCRIPTION	DRFT	DATE
△	09-0075	增加弹片材质备注	LJH	10/05/09*



- Notes:
- Pitch: 8.2, Poles: 2-12P
 - Rated voltage/Current: UL1059 300V 15A
VDE 450V 24A
 - Operation temperatures: -40°C ~ +105°C
 - Withstanding Voltage: AC2500V/1min
 - Insulation Resistance: 5000MΩ/DC1000V
 - Wire Range: 20-14AWG, 0.5-2.5mm²
 - Max. Torque Value: M2.5, 4.08kgf.cm
 - Undimensioned Tolerances:

3	DG8HWP-Current carrier	X000003250 (H)	XX	Steel+ Phosphor bronze	Cr ³⁺ Zn
2	DG8H"- Screws M2.5	S000001110 (H)	XX*2	Steel	Cr ³⁺ Zn
1	DG8HWP-0 Housing	2052A0YXXA (H)	1	PA66	UL94V-2
ITEM	NAME OF PART	NO. OF PART	Q'TY	MATERIAL	NOTES
DETACHED LISTS	MM (INCH)	DF TO LIN	DATE	06/12/09*	
	TOLERANCES EXCEPT AS NOTED	CHKD	DATE		
		MFD	DATE		
		APPVL	DATE		
		MATERIAL :			
	ANGLES ± 1°	G.E :			
	THIRD ANGLE PROJECTION	FINISH:			
	SCALE : 1:1	DRAWING NO. DG8HWP-0-E01		SIZE	REV
		/PART NO.		A4	T1
		DO NOT SCALE DRAWING		SHEET 1	OF 1

DEGSON 宁波高正电子有限公司
DEGSON ELECTRONICS CO., LTD

NAME
DG8HWP-0-XXP-1Y-100A (H)