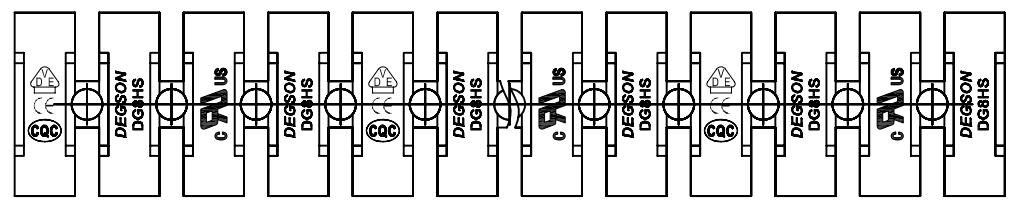
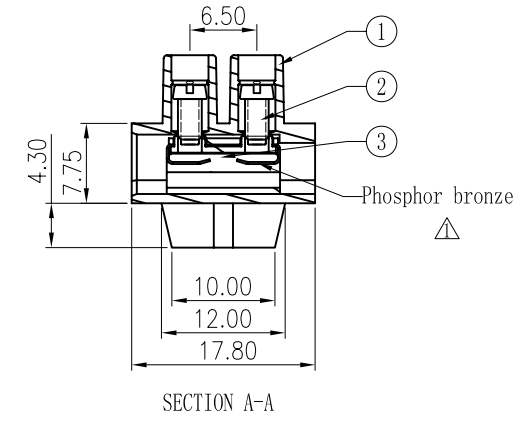
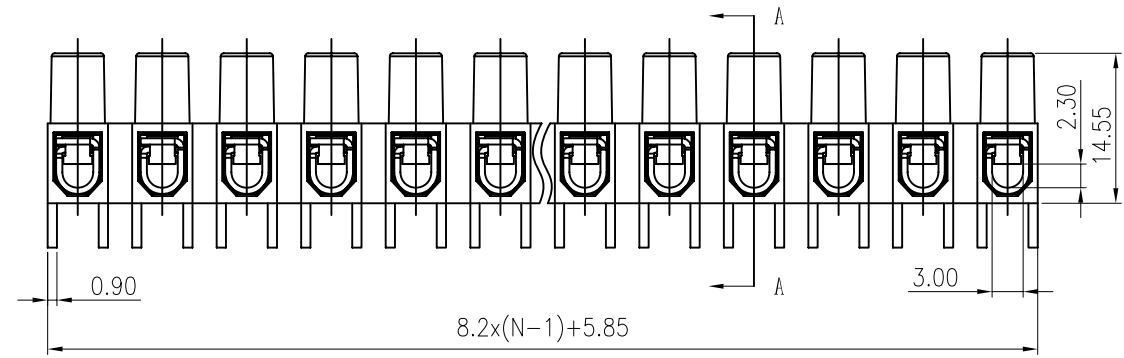
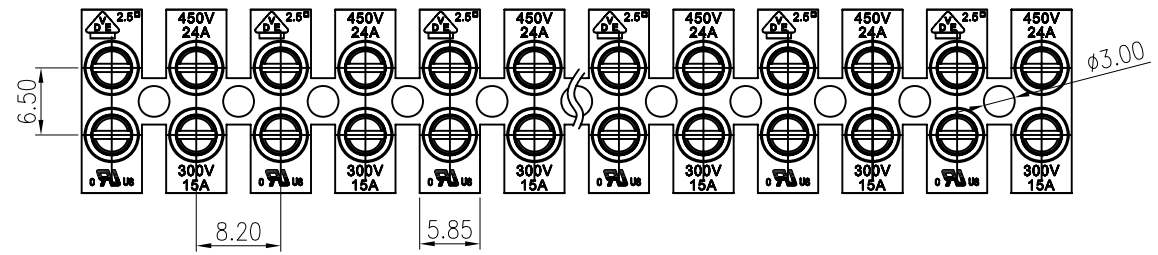


REVISION RECORD				
REV	ECN	DESCRIPTION	DRFT	DATE
△	09-0075	增加弹片材质备注	LJH	10/05/09*



- Notes:
- Pitch:8.2, Poles:2-12P
  - Rated voltage/Current:UL1059 300V 15A  
VDE 450V 24A
  - Operation temperatures:-40℃~+105℃
  - Withstanding Voltage:AC2500V/1Min
  - Insulation Resistance:5000MΩ/DC1000V
  - Wier Range:20-14AWG, 0.5-2.5mm<sup>2</sup>
  - Max. Torque Value:M2.5, 4.08kgf.cm
  - Undimensioned Tolerances:

Pitch range in mm		Nominal dimension range in mm						
	over 6	over 10		over 30	over 60	over 100	over 150	
to 6	to 10	to 24	to 30	to 60	to 100	to 150		□
±0.10	±0.15	±0.25	±0.2	±0.3	±0.5	±0.7	±1.0	0.05/10

3	DG8HWP-Current carrier	X000003250 (H)	XX	Steel+ Phosphor bronze	Cr <sup>3+</sup> Zn
2	DG8H"-" Screws M2.5	S000001110 (H)	XX*2	Steel	Cr <sup>3+</sup> Zn
1	DG8HWP-4.3 Housing	2053A0YXXA (H)	1	PA66	UL94V-2
ITEM	NAME OF PART	NO. OF PART	Q'TY	MATERIAL	NOTES
DETAILED LISTS		MM (INCH)	DATE 05/13/08*	宁波高正电子有限公司 DEGSON ELECTRONICS CO., LTD	
TOLERANCES EXCEPT AS NOTED		CHKD	DATE		
MM		MFD	DATE		
.0 ±		APPL	DATE		
.00 ±		MATERIAL :		NAME	
.000 ±		FINISH:		DG8HWP-4.3-XXP-1Y-100A (H)	
ANGLES ± 1°		SCALE : 1:1		DRAWING NO. DG8HWP-4.3-E01	
THIRD ANGLE PROJECTION		DD NDT SCALE DRAWING		/PART NO.	
		SHEET 1		SIZE A4	
		OF 1		REV T1 10/05/09*	