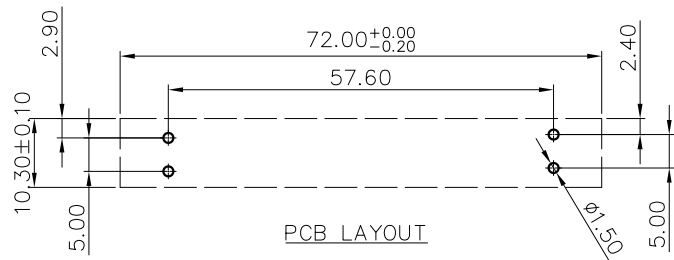
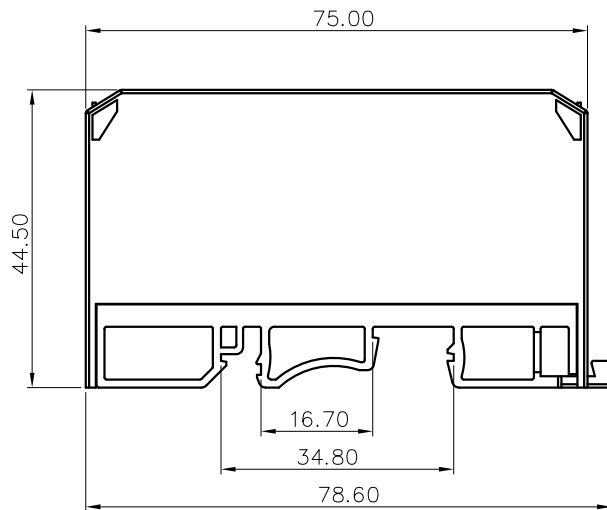
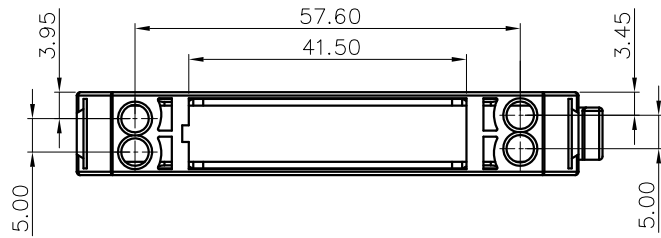


| REVISION RECORD | | | | |
|-----------------|-----|-------------|------|------|
| REV | ECN | DESCRIPTION | DRFT | DATE |

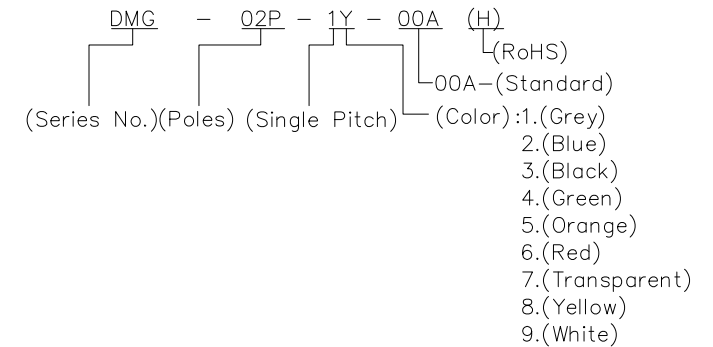


NOTES:

- 1.Dimension shall be interpreted per ASME Y14.5-2009
- 2.PCB: Length: $72.0^{+0.00}_{-0.20}$ mm;
Width: 10.3 ± 0.1 mm;
Thick: 1.60 ± 0.05 mm
- 3.Undimensioned Tolerances:

| Pitch range in mm | Nominal dimension range in mm | | | | | | 0.1/10 |
|-------------------|-------------------------------|---------------|---------------|---------------|----------------|-----------------|------------|
| | Over 6 TO 6 | Over 10 TO 10 | Over 24 TO 30 | Over 30 TO 60 | Over 60 TO 100 | Over 100 TO 150 | |
| | ± 0.15 | ± 0.20 | ± 0.30 | ± 0.30 | ± 0.50 | ± 0.70 | ± 1.00 |
| | | | | | | | ± 1.30 |
| | | | | | | | $\pm 2^*$ |

4.RoHS Compliance



| | | | | | |
|----------------|------------------------|---|-----------|----------------------|-----------|
| DETACHED LISTS | PART NO.: | 宁波高松电子有限公司 NINGBO DEGSON ELECTRICAL CO., LTD | | | |
| | APPD: | NAME: DMG-02P-1Y-00A(H) | | | |
| | CHKD: | TITLE: CUSTOMER DRAWING | | | |
| | DRFT: | DRAWING NO.: | | REV | DO |
| | THIRD ANGLE PROJECTION | | MM (INCH) | DO NOT SCALE DRAWING | SCALE 1:1 |