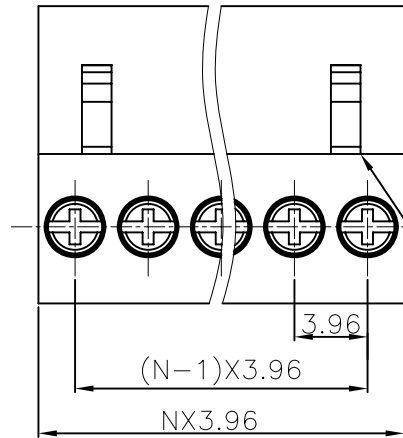
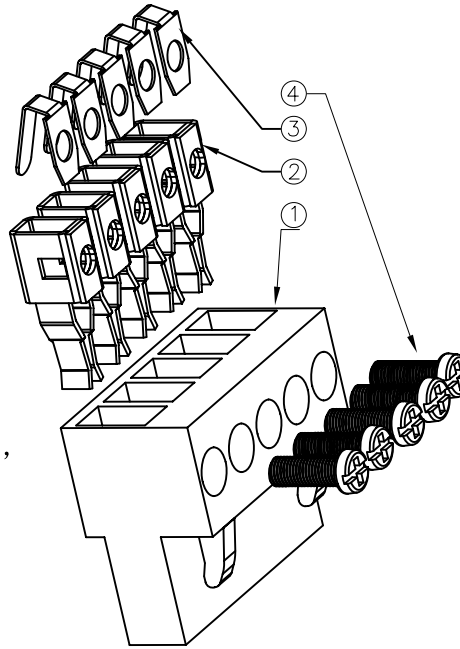


REVISION RECORD					
REV	ECO	DESCRIPTION	DRFT	DATE	
△		Drawing Revise	Home	03/08/06*	
△		Drawing Revise	WF	01/12/07*	
△		增加环保标示	YeJ	10/30/07*	



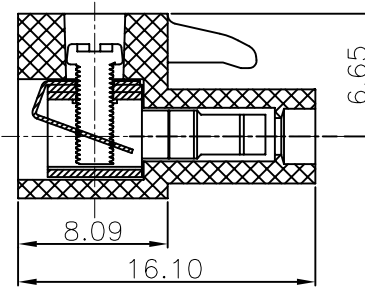
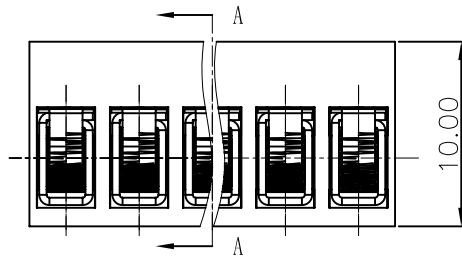
△ 当塑件为2P时，扣点在右边



Notes:

1. pitch: 3.96mm poles:2-24p
2. Rated voltage: 300V
3. Rated current: 15A
4. Insulation resistance: 5000MΩ/DC1000V
5. Withstanding voltage: AC2000V/1Min
6. Wire Range:28-14AWG 2.5mm<sup>2</sup>
7. Temp. Range: -40° C~+105° C
8. Undimensioned Tolerances:

Pitch range in mm		Nominal dimension range in mm						
to 6	over 6 to 10	over 10 to 24	to 6	over 6 to 30	over 30 to 90	over 90 to 200	over 200 to 480	∩ □
±0.10	±0.15	±0.25	±0.1	±0.2	±0.3	±0.5	±0.7	0.05/10



截面 A-A

4	HT396 Screws	S000000360 (H)	XX	Steel	Ni Plated
3	HT396 shrapnel	X000000340 (H)	XX	Phosphor Bronze	Ni plated
2	HT396 Clamp	1015B00010 (H)	XX	Brass	Ni plated

ITEM	NAME OF PART	NO. OF PART	Q'TY	MATERIAL	NOTES												
1	HT396K-3.96 housing	1015A0YXXA (H)	1	PA66	UL94V-0												
<table border="1"> <tr> <td>← MM (INCH) →</td> <td>DFTO Zhuwm</td> <td>DATE 01/11/05</td> </tr> <tr> <td>TOLERANCES EXCEPT AS NOTED</td> <td>CHKD</td> <td>DATE</td> </tr> <tr> <td></td> <td>MFO</td> <td>DATE</td> </tr> <tr> <td></td> <td>APPVL</td> <td>DATE</td> </tr> </table>		← MM (INCH) →	DFTO Zhuwm	DATE 01/11/05	TOLERANCES EXCEPT AS NOTED	CHKD	DATE		MFO	DATE		APPVL	DATE	宁波高正电子有限公司 DEGSON ELECTRONICS CO., LTD			
← MM (INCH) →	DFTO Zhuwm	DATE 01/11/05															
TOLERANCES EXCEPT AS NOTED	CHKD	DATE															
	MFO	DATE															
	APPVL	DATE															
<table border="1"> <tr> <td>MM</td> <td>±</td> </tr> <tr> <td>.0 ±</td> <td>±</td> </tr> <tr> <td>.00 ±</td> <td>±</td> </tr> <tr> <td>.000 ±</td> <td>±</td> </tr> </table>		MM	±	.0 ±	±	.00 ±	±	.000 ±	±	NAME <b>HT396K-3.96-XXP-1Y-00A(H)</b>							
MM	±																
.0 ±	±																
.00 ±	±																
.000 ±	±																
ANGLES ± 1° 		G.E :		DRAWING NO. HT396K-E03													
THIRD ANGLE PROJECTION		FINISH :		/PART NO.													
SCALE : 1:1			DO NOT SCALE DRAWING		SHEET 1 OF 1												